

PART NUMBER

**KCC178110**

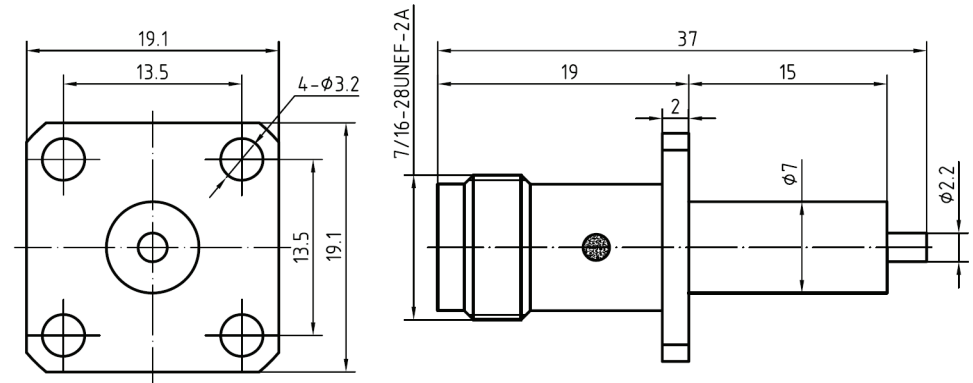
REV.

INITIAL

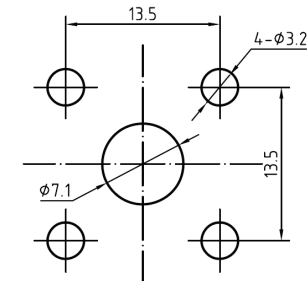
**Electrical Data**

Impedance	50 $\Omega$
Frequency Range	DC - 11 GHz
VSWR	1.3 Max. @ DC - 6 GHz
Insertion Loss	0.15 dB Max. @ DC - 6 GHz
Insulation Resistance	5000 M $\Omega$
Test Voltage	1500 VRMS
Working Voltage	500 VRMS
Temperature	-55°C -+ 155°C
Durability	500 Cycles Min.

All materials are RoHS compliant.

**RoHS Compliant**

Mounting hole



**VSWR and Frequency Range Specifications are for reference and are dependant on cable type and other application specific conditions**

Drawing not to scale. Dimensions for reference only

Units: mm

**Konnect RF**

WWW.KONNECTRF.COM  
1-800-790-5887

PART NUMBER

**KCC178110**

DESCRIPTION

**TNC Straight Female Jack Receptacle  
4 Hole Flange Mount, Blunt Post**

CAGE CODE

**664U0**

SIGNATURE

X

THIS DRAWING INCLUDING THE DESIGNS IS THE PROPERTY OF KONNECT RF AND IS NOT TO BE USED FOR ANY PURPOSE WITHOUT OUR APPROVAL.

**Component**

Body  
Center Contact  
Insulator

**Material**

Brass  
Be.Cu  
PTFE

**Plating**

Nickel  
Gold