

PART NUMBER

KCC178108

REV.

DATE

COMMENTS

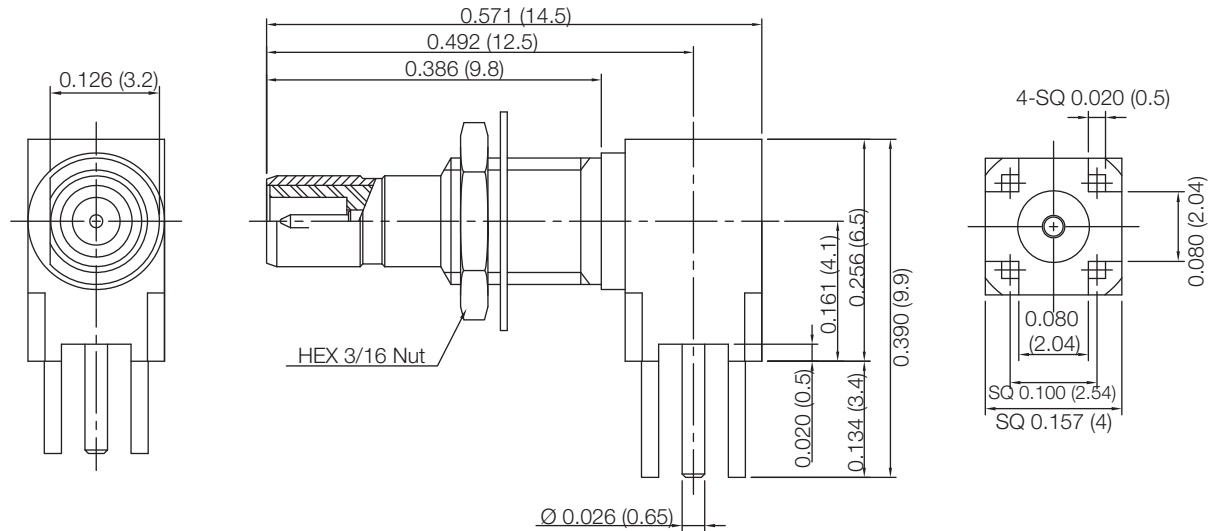
INITIAL

Electrical Data

Impedance 50 Ω
 Frequency Range DC - 12 GHz.
 Working Voltage 250 VRMS max
 Insulation Resistance 1,000 M Ω min
 Dielectric Withstanding Voltage 750V min
 VSWR 1.20 + 0.03xF(GHz)

Mechanical Data

Temperature Range: -45 °C - 125 °C

RoHS Compliant

Drawing not to scale. Dimensions for reference only

Units: inches (mm)

Konnect RF

WWW.KONNECTRF.COM
 1-800-790-5887

PART NUMBER

KCC178108

DESCRIPTION

SSMB Right Angle Male Jack Mount PC Board Receptacle

CAGE CODE

664U0

SIGNATURE

X

THIS DRAWING INCLUDING THE
 DESIGNS IS THE PROPERTY OF
 KONNECT RF AND IS NOT TO
 BE USED FOR ANY PURPOSE
 WITHOUT OUR APPROVAL.

Component
 Body & Nut
 Center Contact
 Insulator

Material
 Brass
 Brass
 PTFE

Plating
 Gold
 Gold