

PART NUMBER

KCC178089

REV.

DATE

COMMENTS

INITIAL

Electrical Data

Impedance	50 Ω
Frequency Range	DC - 18 GHz.
Working Voltage	335 VRMS
Contact Resistance	$\leq 3 \text{ m}\Omega$
Insulation Resistance	$\geq 5,000 \text{ M}\Omega \text{ Min}$
Dielectric Withstanding Voltage	1,000 VRMS

Mechanical Data

Durability	500 Cycles Min.
Coupling Nut Torque	12N-170Ncm
Coupling Nut Retention	>200N
Contact Captivation	>27N

Standards

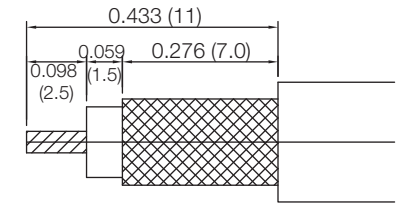
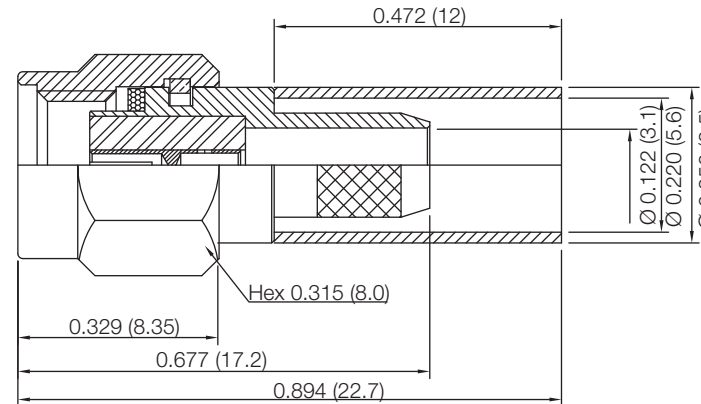
Operating and Storage Temperature Range; -45 °C - 85 °C / -65 °C - 125 °C
 Vibration test; MIL-STD-202, Method 204. Condition D
 Mechanical Shock; MIL-STD-202, Method 213, Condition I
 Moisture Resistance; MIL-STD-202, Method 106

**VSWR and Frequency Range Specifications
 are for reference and are dependant on cable
 type and other application specific conditions**

Drawing not to scale. Dimensions for reference only

Units: inches (mm)

** Center Contact Non-Captivated

RoHS Compliant

Recommended Stripping Dimensions
 Recommended Crimp Dies : Hex 0.217 (5.5)

Konnect RF

WWW.KONNECTRF.COM
 1-800-790-5887

PART NUMBER

KCC178089

DESCRIPTION

SMA Straight Male Plug Reverse Polarity, Crimp

CAGE CODE

664U0

SIGNATURE

X

THIS DRAWING INCLUDING THE
 DESIGNS IS THE PROPERTY OF
 KONNECT RF AND IS NOT TO
 BE USED FOR ANY PURPOSE
 WITHOUT OUR APPROVAL.

Cable Type: RG-400**Component**

Body & Coupling Nut
 Center Contact
 Ferrule
 Insulator

Material

Brass
 BeCu
 Brass
 PTFE

Plating

Gold
 Gold
 Gold