

PART NUMBER

KCC178085

REV.

DATE

COMMENTS

INITIAL

Electrical Data

Impedance	50 Ω
Frequency Range	DC - 11 GHz.
Insertion Loss	\leq 0.10 dB max DC - 4 GHz.
Return Loss:	
DC - 2.5 GHz.	30 dB Min.
2.5 - 4 GHz.	28 dB Min.
4 - 8 GHz.	18 dB Min.
Peak Voltage	2,500 VRMS
Working Voltage	1,400 VRMS
Insulation Resistance	\geq 5,000 M Ω
Dielectric Withstanding Voltage	XX VRMS
VSWR	\leq XXX

Mechanical Data

Durability	500 Cycles Min.
Temperature Range:	-55 °C - 155 °C

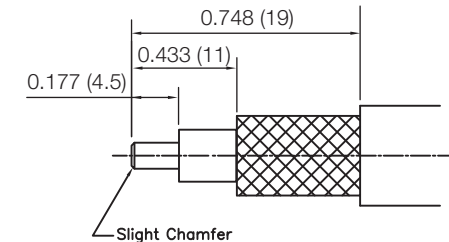
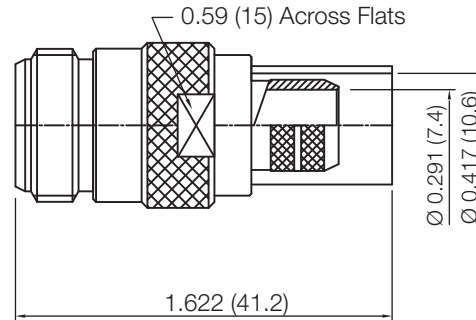
Standards

IP67 (Water Resistant)

Inerstion / Return Loss and Frequency Range Specs are for reference and are dependant on cable type and other application specific conditions

Drawing not to scale. Dimensions for reference only

Units: inches (mm)

RoHS Compliant

Recommended Cable Stripping Dimensions

Konnect RF

WWW.KONNECTRF.COM
1-800-790-5887

PART NUMBER

KCC178085

DESCRIPTION

N Straight Female Jack, Crimp

CAGE CODE

664U0

SIGNATURE

X

Cable Types: RG-213, LMR-400**Component**

Body
Center Contact
Ferrule
Insulator

Material

Brass
BeCu
Brass
PTFE

Plating

Silver
Silver
Silver

THIS DRAWING INCLUDING THE DESIGNS IS THE PROPERTY OF KONNECT RF AND IS NOT TO BE USED FOR ANY PURPOSE WITHOUT OUR APPROVAL.