

PART NUMBER

**KCC177992**

REV.	DATE	COMMENTS	INITIAL
A	3/5/15	Updated Clamp Nut ID From 0.146" to 0.118"	<i>[Signature]</i>

**Electrical Data**

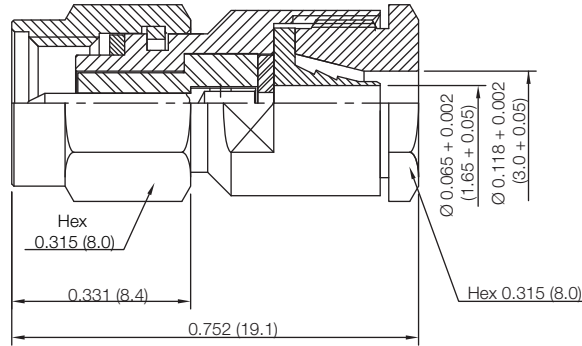
Impedance	50 Ω
Frequency Range	DC - 12.4 GHz.
Insertion Loss	0.05 F(GHz)
Working Voltage	335 VRMS max
Insulation Resistance	5,000 MΩ min
Dielectric Withstanding Voltage	750 V min
VSWR	1.25 @ 12.4 GHz

**Mechanical Data**

Durability	500 Cycles Min.
Temperature Range:	-55 °C - 145 °C

**Standards**

MIL-C-39012

**RoHS Compliant**

	<p>1. SLIDE CLAMP NUT OVER CABLE. TRIM CABLE TO DIMENSIONS SHOWN. DO NOT NICK CENTER CONDUCTOR.</p>
	<p>2. INSERT FERRULE/INSULATOR UNDER/BRAID AND JACKET UNTIL CABLE BOTTOMS ON INSULATOR.</p>
	<p>3. INSTALL CONTACT OVER CABLE CONDUCTOR AND INTO INSULATOR. SOLDER IN PLACE BOTTOMED AGAINST INSULATOR. INSERT CABLE ASSEMBLY INTO BODY BOTTOMING THE FERRULE ON THE CONNECTOR. SLIDE THE CLAMP NUT FORWARD AND TORQUE TO 90-100 IN-OZ.</p>

Drawing not to scale. Dimensions for reference only

Units: inches (mm)

**Konnect RF**

WWW.KONNECTRF.COM  
1-800-790-5887

PART NUMBER

**KCC177992**

DESCRIPTION

**SMA Straight Male Plug, Clamp**

CAGE CODE

**664U0**

SIGNATURE

**X**

THIS DRAWING INCLUDING THE DESIGNS IS THE PROPERTY OF KONNECT RF AND IS NOT TO BE USED FOR ANY PURPOSE WITHOUT OUR APPROVAL.

**Cable Types:** RG-316DS

Component	Material	Plating/Finish
Body & Coupling Nut	Stainless Steel	Passivated
Coupling Cap	Stainless Steel	Passivated
Center Contact	Brass	Gold
Cable Ferrule	Brass	Gold
Gasket	Silicone Rubber	
Insulator	PTFE	