

PART NUMBER

**KCC177973**

REV.

DATE

COMMENTS

INITIAL

**Electrical Data**

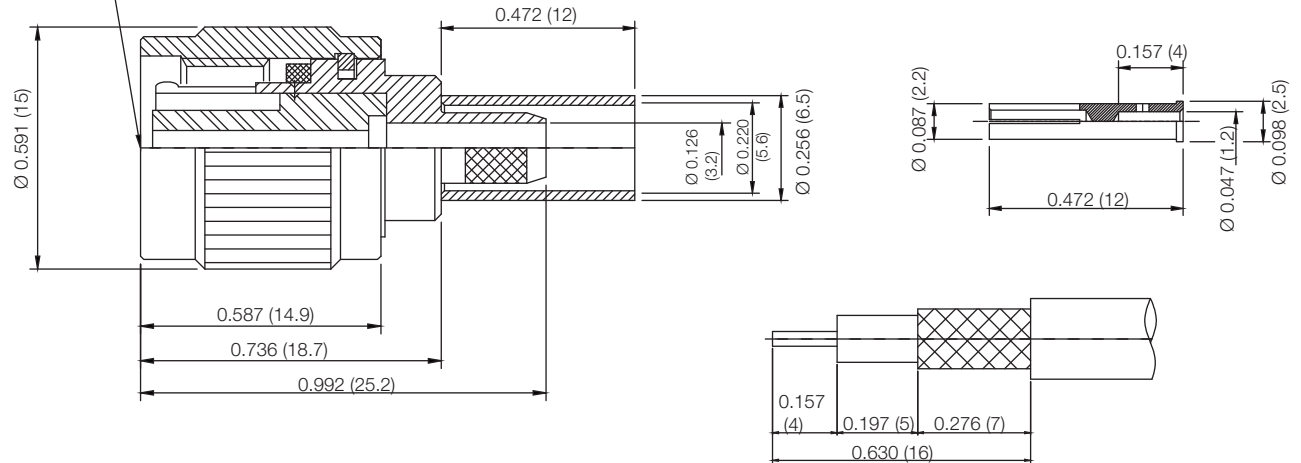
Impedance	50 $\Omega$
Frequency Range	DC - 11 GHz.
Contact Current	DC 3.5A max
Voltage Rating	250Vrms
Contact Resistance	
Center	2.0 m $\Omega$
Outer	0.2 m $\Omega$
Insulation Resistance	5,000 M $\Omega$ min

**Mechanical Data**

Temperature Range:	-45 °C - 125 °C
Waterproof Rating	iP67

**RoHS Compliant**

REVERSE POLARITY



Recommended Stripping Dimensions

Drawing not to scale. Dimensions for reference only

Units: inches (mm)

**Konnect RF**

WWW.KONNECTRF.COM  
1-800-790-5887

PART NUMBER

**KCC177973**

DESCRIPTION

**TNC Straight Male Plug Reverse Polarity, Crimp**

CAGE CODE

**664U0**

SIGNATURE

X

**Cable Types:** LMR-200**Component**

Body, Nut & Ferrule  
Center Contact  
Insulator  
Gasket

**Material**

Brass  
BeCu  
PTFE  
Silicone Rubber

**Plating**

Nickel  
Gold

THIS DRAWING INCLUDING THE  
DESIGNS IS THE PROPERTY OF  
KONNECT RF AND IS NOT TO  
BE USED FOR ANY PURPOSE  
WITHOUT OUR APPROVAL.