

PART NUMBER

**KCC177970**

REV.

DATE

COMMENTS

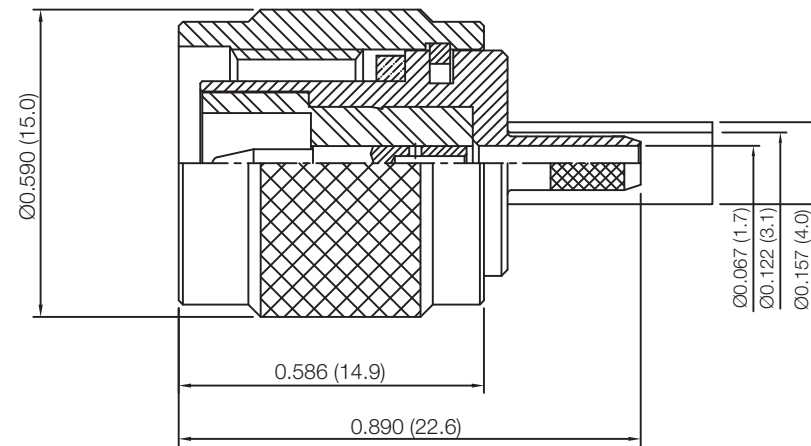
INITIAL

**Electrical Data**

Impedance	50 $\Omega$
Frequency Range	DC - 4.0 GHz.
Voltage Rating	250 VRMS
Contact Resistance	
Center	$\leq 2.0$ m $\Omega$
Outer	$\leq 0.2$ m $\Omega$
Insulation Resistance	$\geq 5,000$ M $\Omega$
VSWR	$\leq 1.25$

**RoHS Compliant****Mechanical Data**

Temperature Range: -65 °C - 165 °C



**VSWR and Frequency Range Specifications are for reference and are dependant on cable type and other application specific conditions**

Drawing not to scale. Dimensions for reference only

Units: inches (mm)

WWW.KONNECTRF.COM  
1-800-790-5887

PART NUMBER

**KCC177970**

DESCRIPTION

**TNC Straight Male Plug, Crimp**

CAGE CODE

**664U0**

SIGNATURE

X

**Cable Types:** RG-316

THIS DRAWING INCLUDING THE DESIGNS IS THE PROPERTY OF KONNECT RF AND IS NOT TO BE USED FOR ANY PURPOSE WITHOUT OUR APPROVAL.

**Component**

Body  
Center Contact  
Ferrule  
Insulator

**Material**

Stainless Steel 303  
Brass  
Brass  
PTFE

**Plating**

Passivated  
Gold  
Nickel