

PART NUMBER

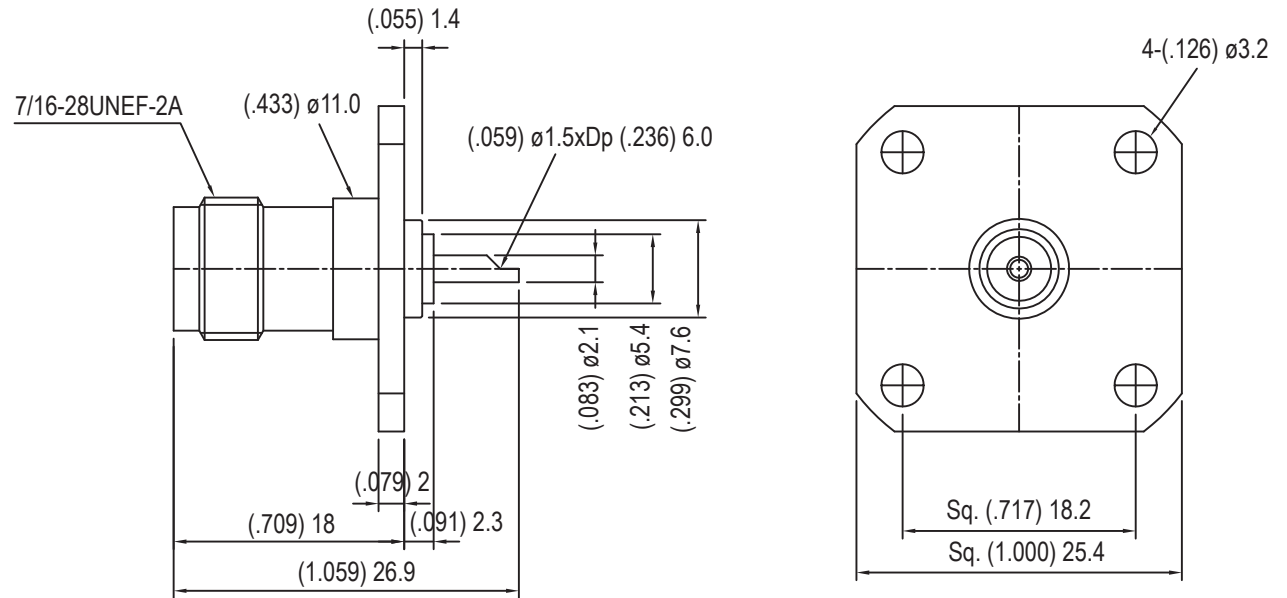
KCC177957

REV.

INITIAL

Electrical Data

Impedance 50 Ω

RoHS Compliant

Drawing not to scale. Dimensions for reference only

Units: (inches) mm

Konnect RFWWW.KONNECTRF.COM
1-800-790-5887

PART NUMBER

KCC177957

DESCRIPTION

**TNC Straight Female Jack Receptacle
4 Hole Flange Mount, Solder Pot**

CAGE CODE

664U0

SIGNATURE

X

THIS DRAWING INCLUDING THE
DESIGNS IS THE PROPERTY OF
KONNECT RF AND IS NOT TO
BE USED FOR ANY PURPOSE
WITHOUT OUR APPROVAL.**Component**Body
Center Contact
Insulator**Material**Stainless Steel
Be.Cu
PTFE**Plating**Passivated
Gold