

PART NUMBER

KCC177956

REV.

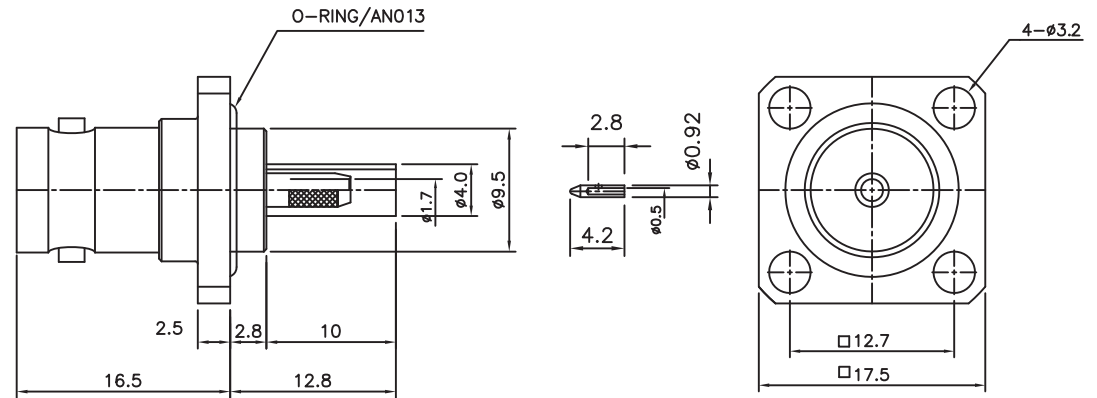
INITIAL

Electrical Data

Impedance 75 Ω
 Frequency Range Max. DC-4 GHz
 Opt. DC-1 GHz
 Working Voltage 400 VRMS
 Temperature Range -55°C to +155°C

RoHS Compliant**Mechanical Data**

Intrusion Protection IP67



Drawing not to scale. Dimensions for reference only

Units: mm

Konnect RF

WWW.KONNECTRF.COM
 1-800-790-5887

PART NUMBER

KCC177956

DESCRIPTION

75Ohm BNC Straight Female Jack, 4 Hole Flange Mount, Waterproof (IP67), Crimp

CAGE CODE

664U0

SIGNATURE

X

Cable Types: RG-179**Component**

Body
 Center Contact
 Cable Insert Pin
 Ferrule
 O-Ring
 Insulator

Material

Brass
 Be.Cu
 Brass
 Brass
 Silicone Rubber
 PTFE

Plating

Nickel
 Gold
 Gold
 Nickel

THIS DRAWING INCLUDING THE
 DESIGNS IS THE PROPERTY OF
 KONNECT RF AND IS NOT TO
 BE USED FOR ANY PURPOSE
 WITHOUT OUR APPROVAL.