

PART NUMBER

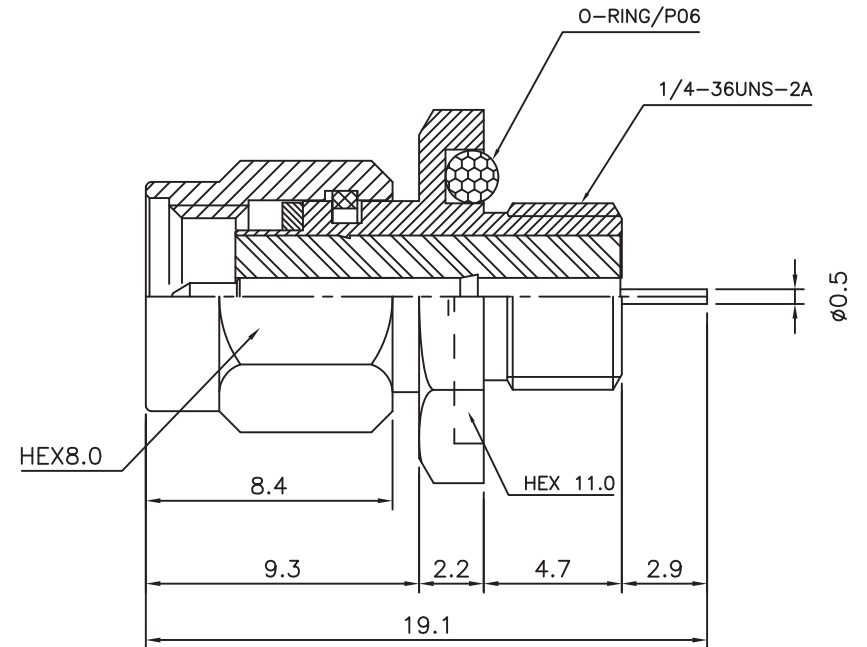
KCC177925

REV.

INITIAL

Electrical Data

Impedance	50 Ω
Frequency Range	DC - 18 GHz
Insulation Resistance	5000 M Ω Min.
Contact Resistance	<3M Ω
Working Voltage	335 VRMS Max.
DWV	1000 V Min.

RoHS Compliant

VSWR and Frequency Range Specifications
are for reference and are dependant on cable
type and other application specific conditions

Drawing not to scale. Dimensions for reference only

Units: mm

WWW.KONNECTRF.COM
1-800-790-5887

PART NUMBER

KCC177925

DESCRIPTION

**SMA Straight Male Plug Receptacle,
(0.020 inch pin), Bulkhead, Thread-In, O-Ring Seal**

CAGE CODE

664U0

SIGNATURE

X

THIS DRAWING INCLUDING THE
DESIGNS IS THE PROPERTY OF
KONNECT RF AND IS NOT TO
BE USED FOR ANY PURPOSE
WITHOUT OUR APPROVAL.

Component

Body & Coupling
Center Contact
O-Ring
Insulator

Material

Stainless Steel
Be.Cu
Silicone Rubber
PTFE

Plating

Gold
Gold