

PART NUMBER

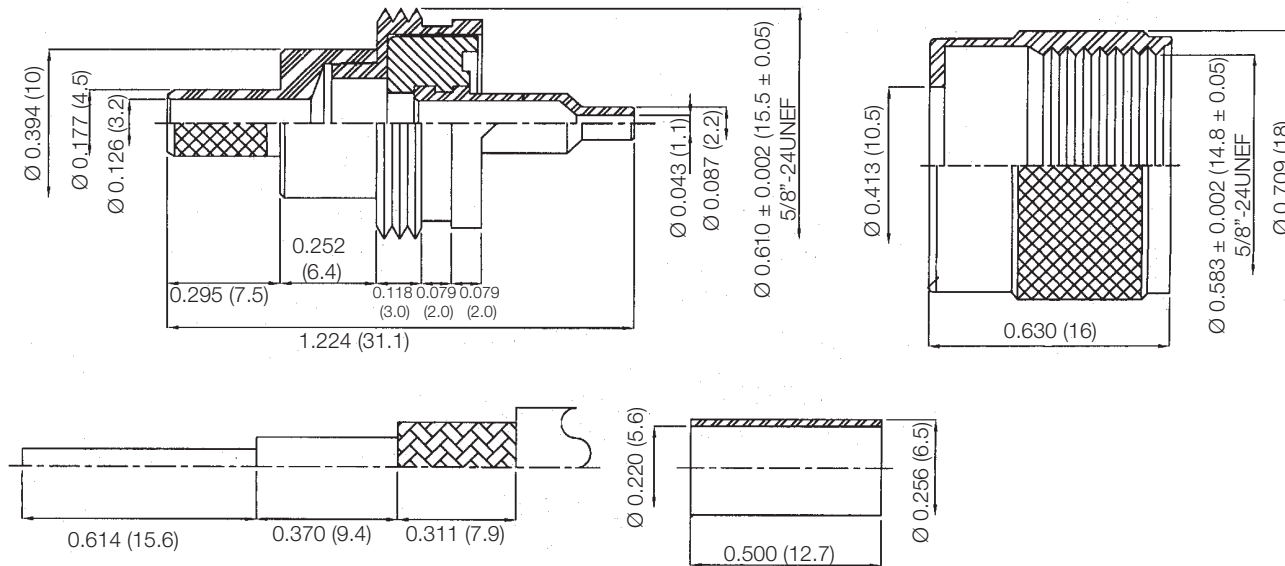
KCC177922

REV.

DATE

COMMENTS

INITIAL

Electrical DataImpedance 50 Ω **RoHS Compliant**

Drawing not to scale. Dimensions for reference only

Units: inches (mm)

Konnect RFWWW.KONNECTRF.COM
1-800-790-5887

PART NUMBER

KCC177922

DESCRIPTION

UHF Straight Male Plug, Crimp, Non-Constant

CAGE CODE

664U0

SIGNATURE

X

THIS DRAWING INCLUDING THE
DESIGNS IS THE PROPERTY OF
KONNECT RF AND IS NOT TO
BE USED FOR ANY PURPOSE
WITHOUT OUR APPROVAL.**Cable Types:** RG-58, LMR-195**Component**Body & Shell
Ferrule
Center Contact
Insulator**Material**Brass
Brass
Brass
PTFE**Plating**Nickel
Nickel
Gold