

PART NUMBER

KCC177897

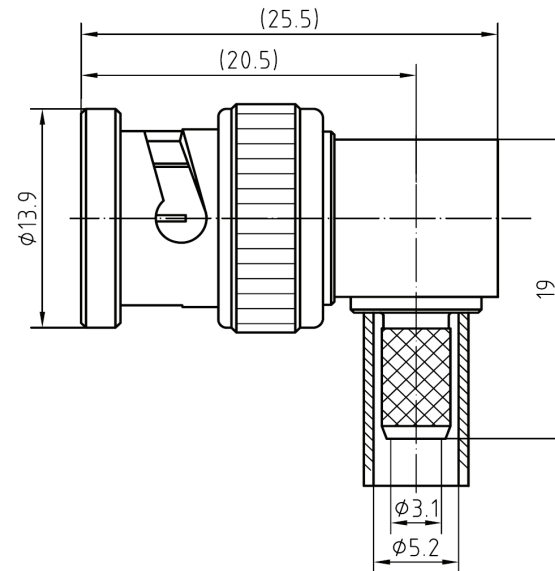
REV.

INITIAL

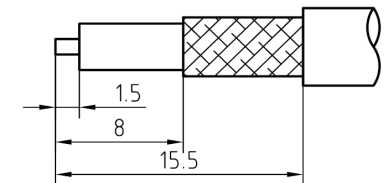
Electrical Data

Impedance	50 Ω
Frequency Range	DC - 4 GHz
Return Loss	30 dB Min, DC - 1 GHz 25 dB Min, 1 - 2 GHz 18 dB Min, 2 - 4 GHz
Insertion Loss	0.1 dB Max, DC - 4 GHz
Insulation Resistance	5000 M Ω
Test Voltage	1500 VRMS
Working Voltage	400 VRMS
Temperature	-55°C -- + 155°C
Durability	500 Cycles Min.

All materials are RoHS compliant.

RoHS Compliant

Recommended Stripping Cable Dim's



VSWR and Frequency Range Specifications are for reference and are dependant on cable type and other application specific conditions

Drawing not to scale. Dimensions for reference only

Units: mm

Konnect RF

WWW.KONNECTRF.COM
1-800-790-5887

PART NUMBER

KCC177897

DESCRIPTION

BNC Right Angle Male Plug, Crimp

CAGE CODE

664U0

SIGNATURE

X

Cable Types: RG-58, 303, LMR-195**Component**

Body
Center Contact
Insulator

Material

Brass
Brass
PTFE

Plating

Nickel
Gold

THIS DRAWING INCLUDING THE DESIGNS IS THE PROPERTY OF KONNECT RF AND IS NOT TO BE USED FOR ANY PURPOSE WITHOUT OUR APPROVAL.