

PART NUMBER

KCC177877

REV.

DATE

COMMENTS

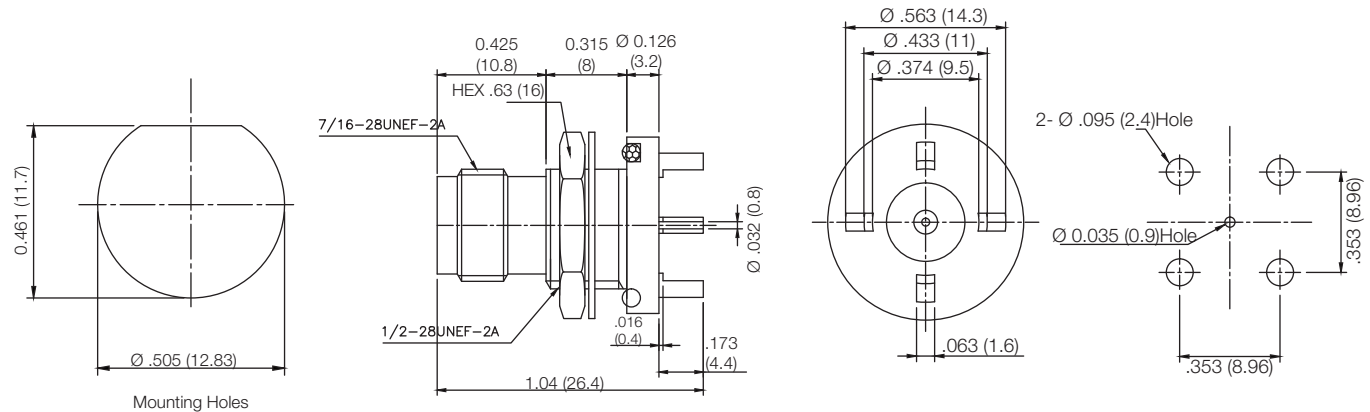
INITIAL

Electrical Data

Impedance	50 Ω
Frequency Range	DC -11GHz.
Insertion Loss	≤ 0.25 dB
Contact Current	3.5A DC Max.
Contact Resistance	
Center	≤ 1.5 m Ω
Outer	≤ 1.0 m Ω
Insulation Resistance	5,000 M Ω Min.
Voltage Rating	500 VRMS
VSWR	≤ 1.25

Mechanical Data

Temperature Range: -40 °C - 145 °C

RoHS Compliant

Drawing not to scale. Dimensions for reference only

Units: inches (mm)

Konnect RF

WWW.KONNECTRF.COM
1-800-790-5887

PART NUMBER

KCC177877

DESCRIPTION

TNC Straight Female Jack 4 Leg Standoff PCB Receptacle, Bulkhead, O-Ring Seal

CAGE CODE

664U0

SIGNATURE

X

Cable Types:**Component**

Body, Nut & Washer
Center Contact
Insulator
O-Ring

Material

Brass
BeCu
PTFE
Silicone Rubber

Plating

Nickel
Silver

THIS DRAWING INCLUDING THE DESIGNS IS THE PROPERTY OF KONNECT RF AND IS NOT TO BE USED FOR ANY PURPOSE WITHOUT OUR APPROVAL.