

PART NUMBER

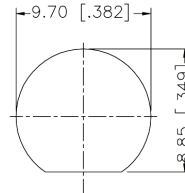
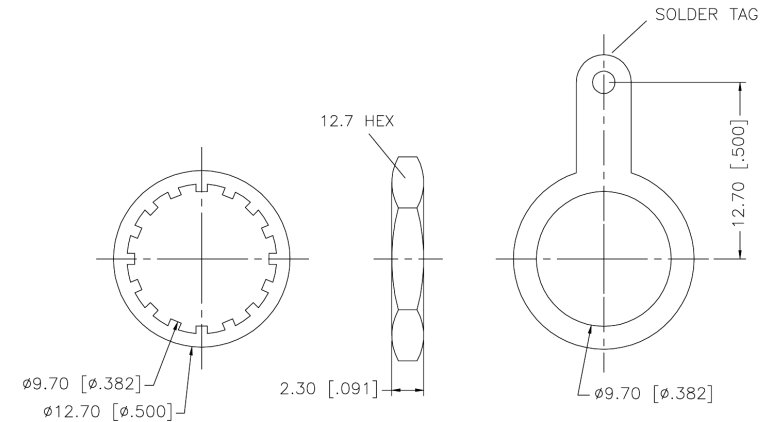
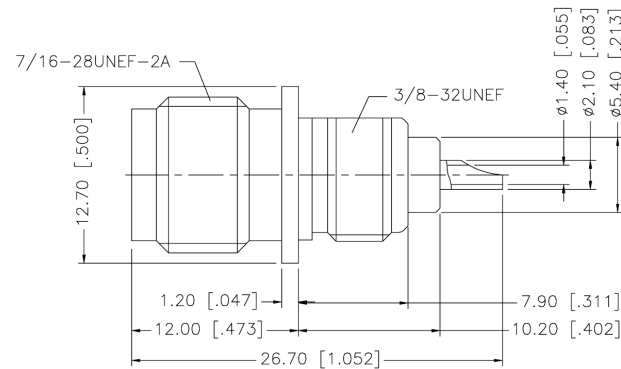
**KCC177857**

REV.

INITIAL

**Electrical Data****RoHS Compliant**

Impedance

50  $\Omega$ RECOMMENDED  
MOUNTING HOLE

**VSWR and Frequency Range Specifications**  
are for reference and are dependant on cable  
type and other application specific conditions

Drawing not to scale. Dimensions for reference only

WWW.KONNECTRF.COM  
540 NW University Blvd. Ste. 109  
Port Saint Lucie, Florida, 34986  
1-800-790-5887

PART NUMBER

**KCC177857**

DESCRIPTION

**TNC Female Jack Receptacle  
Bulkhead Front Mount - Solder Pot**

CAGE CODE

**664U0**

SIGNATURE

X

**Materials**

Body  
Contact Pin  
Lock Washer  
Hex Nut  
Solder Tab  
Insulator

Brass  
Phos. Bronze  
Brass  
Brass  
Brass  
Delrin

Nickel Plated  
Gold Plated  
Nickel Plated  
Nickel Plated  
Nickel Plated  
Natural

THIS DRAWING INCLUDING THE  
DESIGNS IS THE PROPERTY OF  
KONNECT RF AND IS NOT TO  
BE USED FOR ANY PURPOSE  
WITHOUT OUR APPROVAL.