

PART NUMBER

KCC177852

REV.

DATE

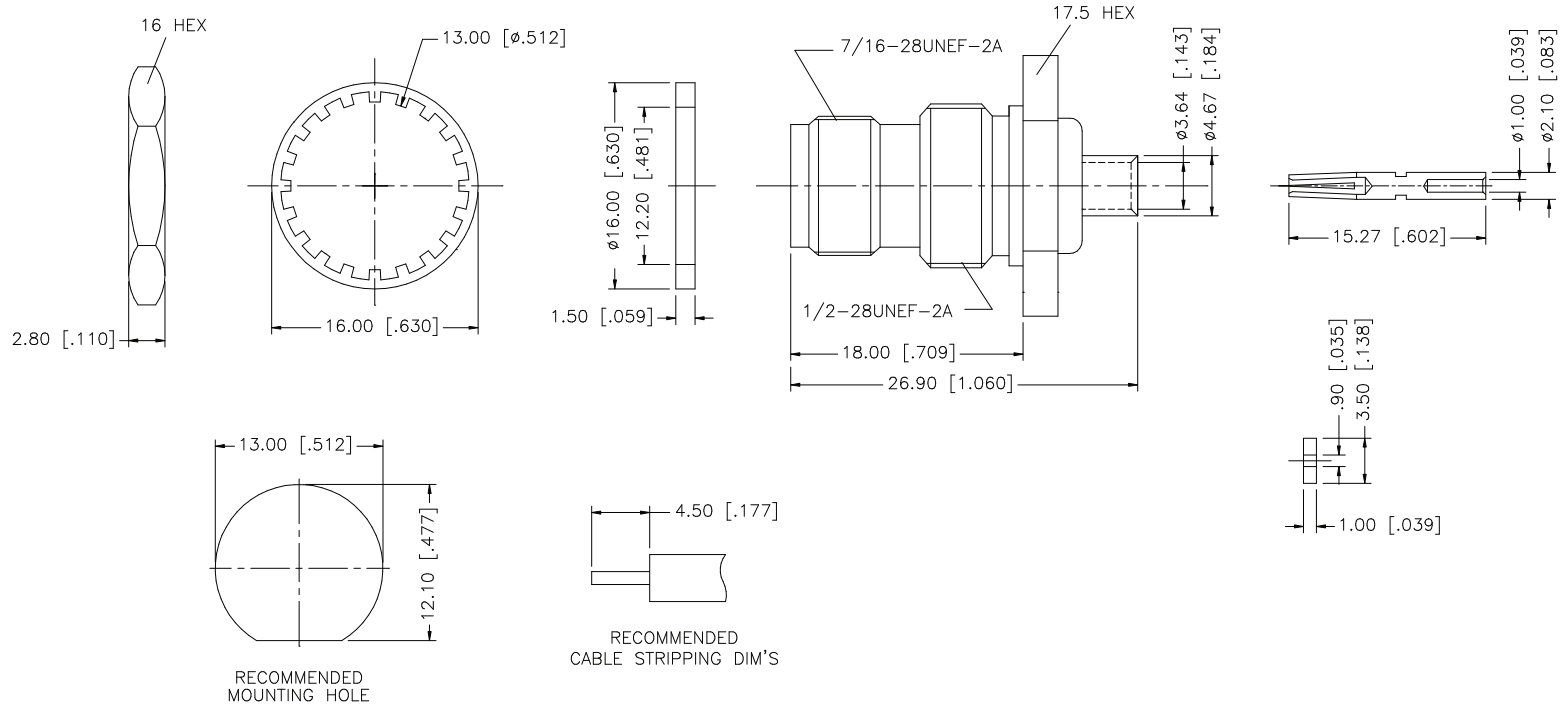
COMMENTS

INITIAL

Electrical Data

Impedance

50 Ω

RoHS Compliant

Drawing not to scale. Dimensions for reference only

Units: mm [inches]

Konnect RFWWW.KONNECTRF.COM
1-800-790-5887

PART NUMBER

KCC177852

DESCRIPTION

TNC Straight Female Jack, Solder, Bulkhead Rear Mount

CAGE CODE

664U0

SIGNATURE

X

Cable Types: .141 SR (RG-402)THIS DRAWING INCLUDING THE
DESIGNS IS THE PROPERTY OF
KONNECT RF AND IS NOT TO
BE USED FOR ANY PURPOSE
WITHOUT OUR APPROVAL.**Component**Body
Rear Body
Center Contact
Insulator**Material**Brass
Brass
Phos. Bronze
PTFE**Plating**Nickel
Gold
Gold