

PART NUMBER

KCC177839

REV.

A

12/8/2011

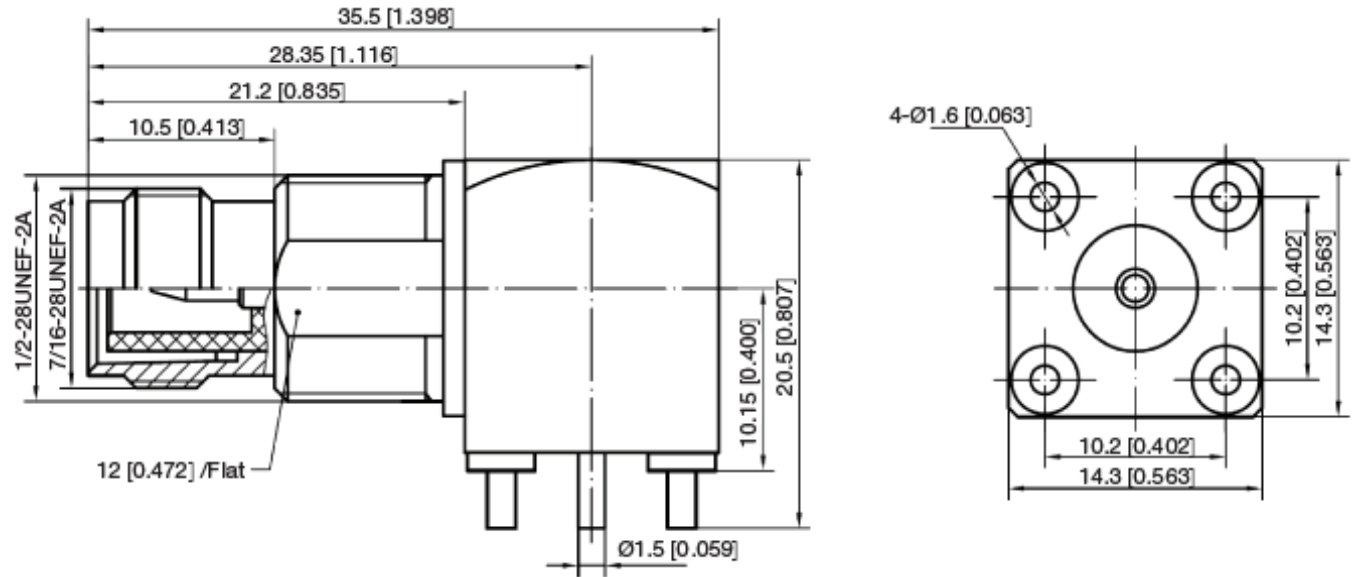
Removed Bulkhead

INITIAL

Electrical Data

Impedance	50 Ω
Frequency Range	DC - 10 GHz
VSWR	1.3 Max. DC - 6 GHz
Insertion Loss	0.35 dB Max. @ DC - 6 GHz
Insulation Resistance	5000 M Ω Min.
Test Voltage	1500 V rms
Working Voltage	500 V rms
Temperature Range	-65° + 165°C
Durability	500 Cycles Min.

All Materials Are RoHS Compliance.

RoHS Compliant

VSWR and Frequency Range Specifications are for reference and are dependant on cable type and other application specific conditions

Drawing not to scale. Dimensions for reference only

Konnect RF

WWW.KONNECTRF.COM
540 NW University Blvd. Ste. 109
Port Saint Lucie, Florida, 34986
1-800-790-5887

PART NUMBER

KCC177839

DESCRIPTION

**TNC Right Angle Female Jack Reverse Polarity
4 Leg PC Board Receptacle**

CAGE CODE

664U0

SIGNATURE

X

Materials

Body
Center Contact
Solder Leg
Insulator

Brass
Brass
Brass
PTFE

Nickel Plated
Gold Plated
Gold Plated

THIS DRAWING INCLUDING THE DESIGNS IS THE PROPERTY OF KONNECT RF AND IS NOT TO BE USED FOR ANY PURPOSE WITHOUT OUR APPROVAL.