

PART NUMBER

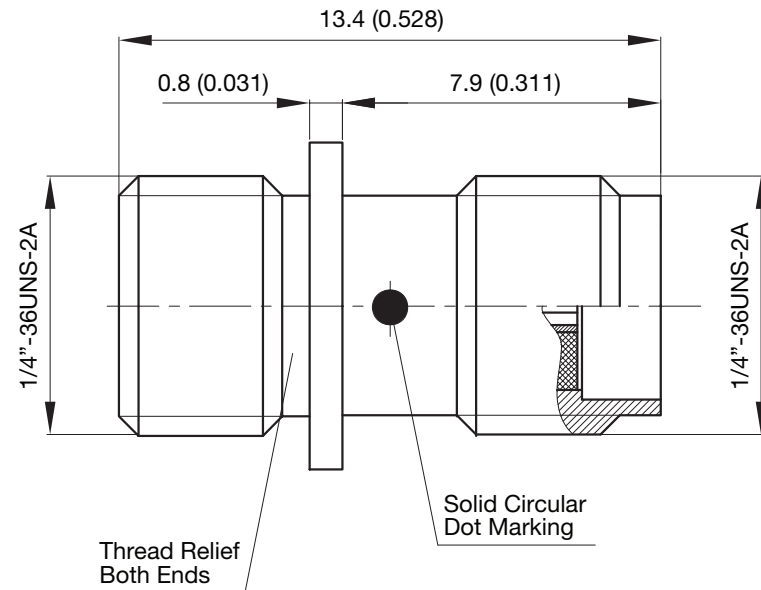
**KCC177822**

REV.

INITIAL

**Electrical Data**

Impedance	50 $\Omega$
Frequency Range	DC - 18 GHz
Withstand Voltage	1000 V @ Sea Level
Working Voltage	335 V
Insulation Resistance	$\geq 5000M\Omega$
Contact Resistance	Center Contact $\leq 3m\Omega$ Outer Contact $\leq 2m\Omega$

**RoHS Compliant**

VSWR and Frequency Range Specifications are for reference and are dependant on cable type and other application specific conditions

Drawing not to scale. Dimensions for reference only

WWW.KONNECTRF.COM  
540 NW University Blvd. Ste. 109  
Port Saint Lucie, Florida, 34986  
1-800-790-5887

PART NUMBER

**KCC177822**

DESCRIPTION

**SMA Straight Female Jack Receptacle  
Bulkhead - Socket**

CAGE CODE

**664U0**

SIGNATURE

X

**Materials**

Body  
Center Contact  
Insulator

Stainless Steel  
Be-Cu  
PTFE

Gold Plated  
Gold Plated

THIS DRAWING INCLUDING THE DESIGNS IS THE PROPERTY OF KONNECT RF AND IS NOT TO BE USED FOR ANY PURPOSE WITHOUT OUR APPROVAL.