

PART NUMBER

KCC177798

REV.

DATE

COMMENTS

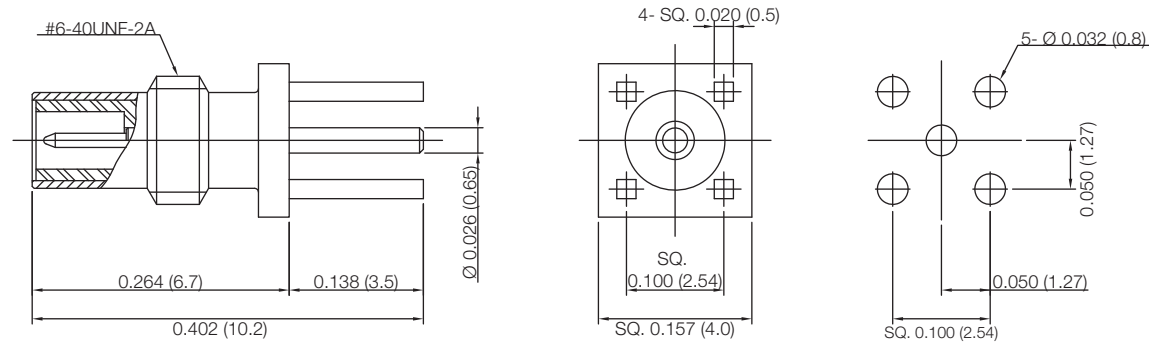
INITIAL

Electrical Data

Impedance 50 Ω
 Frequency Range DC-12.4GHz
 Insulation Resistance 1,000M Ω

Mechanical Data

Durability 500 Cycles Min.
 Temperature Range: -45°C - 120 °C

RoHS Compliant

PCB PANEL MOUNT

Drawing not to scale. Dimensions for reference only

Units: inches (mm)

Konnect RF

WWW.KONNECTRF.COM
 1-800-790-5887

PART NUMBER

KCC177798

DESCRIPTION

SSMC Straight Male Jack 4 Leg PC Board Receptacle

CAGE CODE

664U0

SIGNATURE

X

THIS DRAWING INCLUDING THE
 DESIGNS IS THE PROPERTY OF
 KONNECT RF AND IS NOT TO
 BE USED FOR ANY PURPOSE
 WITHOUT OUR APPROVAL.

Component
 Body
 Center Contact
 Insulator

Material
 Brass
 Brass
 PTFE

Plating
 Gold
 Gold