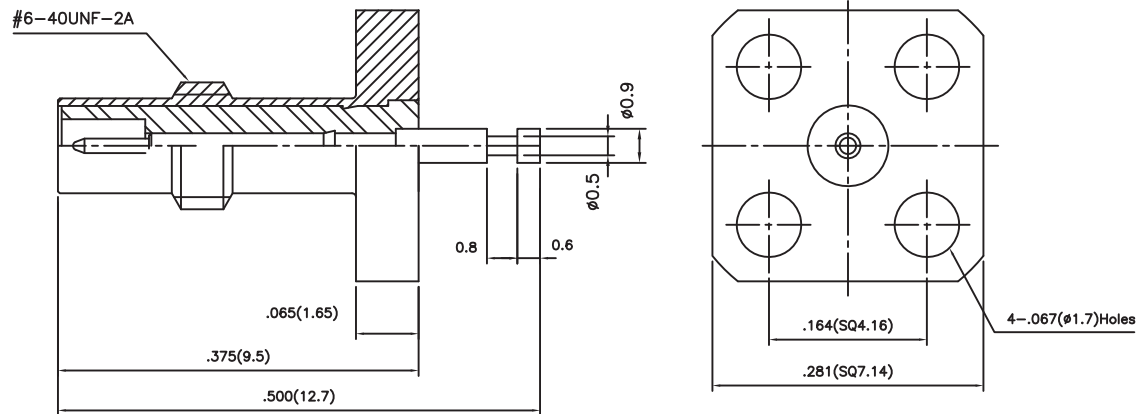


PART NUMBER

KCC177793

REV.

INITIAL

Electrical Data**RoHS Compliant**Impedance 50 Ω 

Drawing not to scale. Dimensions for reference only

Units: Inches (mm)

Konnect RFWWW.KONNECTRF.COM
1-800-790-5887

PART NUMBER

KCC177793

DESCRIPTION

SSMC Straight Female Plug Receptacle, Turret Contact

CAGE CODE

664U0

SIGNATURE

X

THIS DRAWING INCLUDING THE DESIGNS IS THE PROPERTY OF KONNECT RF AND IS NOT TO BE USED FOR ANY PURPOSE WITHOUT OUR APPROVAL.

ComponentBody
Center Contact
Insulator**Material**Stainless Steel
Brass
PTFE**Plating/Finish**Passivated
Gold