

PART NUMBER

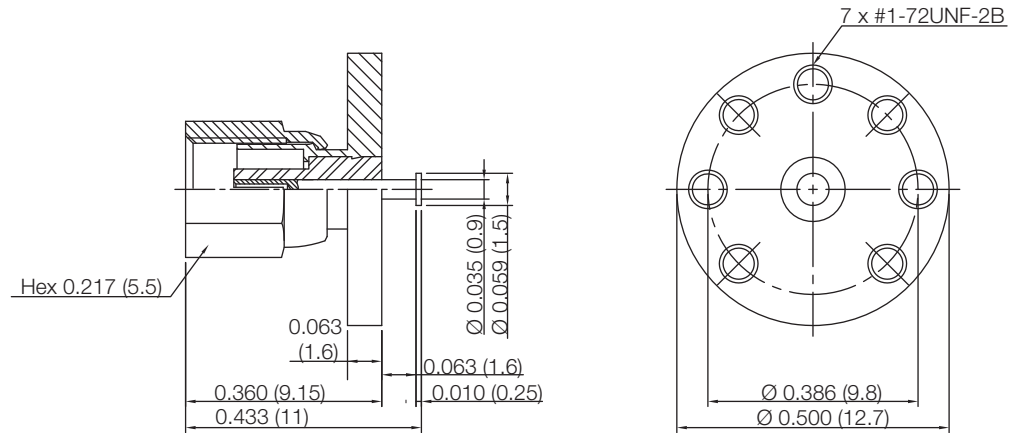
**KCC177787**

REV.

DATE

COMMENTS

INITIAL

**Electrical Data**Impedance 50  $\Omega$ **RoHS Compliant**

Drawing not to scale. Dimensions for reference only

Units: inches (mm)

**Konnect RF**WWW.KONNECTRF.COM  
1-800-790-5887

PART NUMBER

**KCC177787**

DESCRIPTION

**SMC Straight Female Plug Receptacle, Stripline  
7 Hole Surface Mount, Turret Contact**

CAGE CODE

**664U0**

SIGNATURE

X

THIS DRAWING INCLUDING THE  
DESIGNS IS THE PROPERTY OF  
KONNECT RF AND IS NOT TO  
BE USED FOR ANY PURPOSE  
WITHOUT OUR APPROVAL.**Component**Body & Coupling Nut  
Center Contact  
Insulator**Material**Brass  
BeCu  
PTFE**Plating**Gold  
Gold