

PART NUMBER

KCC177773**Electrical Data**

Impedance 50 Ω

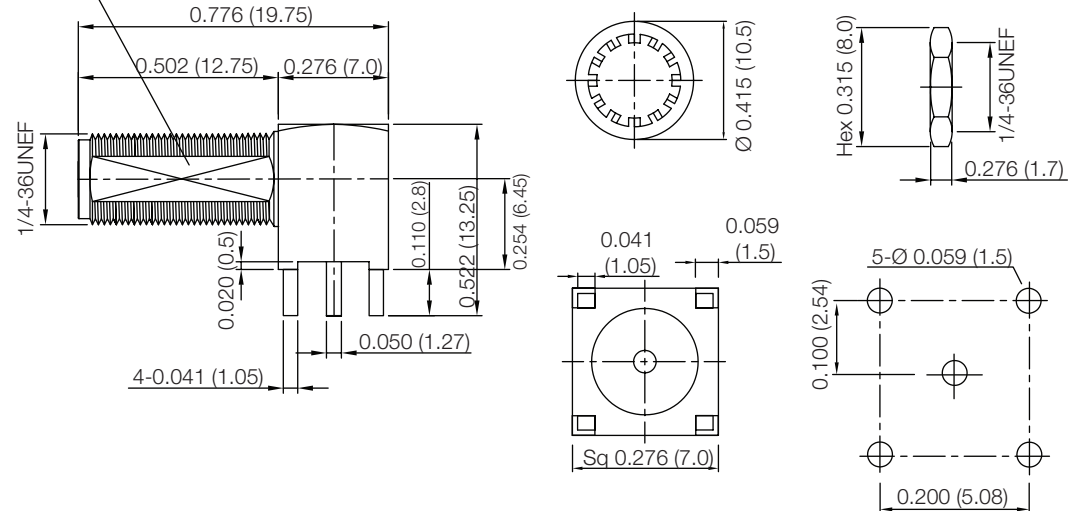
Mechanical Data

Force to Engage & Disengage 2 lbs
 Coupling Nut Retention Force ≥ 60 lbs
 Recommended Mating Torque 4 - 5 in-lbs

REV.	DATE	COMMENTS	INITIAL
A	04/28/2016	Updated Washer Size to Ø 0.415 (10.5)	
B	06/14/2022	Added Mechanical Specs	
C	10/31/2022	Updated Mechanical Data	

RoHS Compliant
 RoHS2 Compliant

Across Flats 0.228 (5.8)



Drawing not to scale. Dimensions for reference only

Units: inches (mm)

Konnect RF

WWW.KONNECTRF.COM
 1-800-790-5887

PART NUMBER

KCC177773

DESCRIPTION

**SMA Right Angle Female Jack 4 Leg Standoff
 PC Board Receptacle, Bulkhead Rear Mount**

CAGE CODE

664U0

SIGNATURE

X

THIS DRAWING INCLUDING THE
 DESIGNS IS THE PROPERTY OF
 KONNECT RF AND IS NOT TO
 BE USED FOR ANY PURPOSE
 WITHOUT OUR APPROVAL.

Component

Body & Washer
 Nut & Chasdsis
 Center Contact
 Insulator

Material

Brass
 Brass
 BeCu
 PTFE

Plating

Gold
 Gold
 Gold