

PART NUMBER

KCC177769

REV.

DATE

COMMENTS

INITIAL

Electrical Data

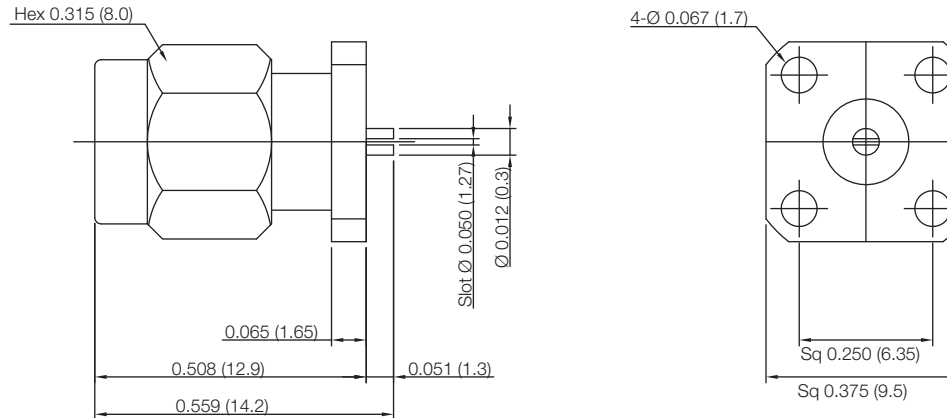
Impedance	50 Ω
Frequency Range	DC - 18 GHz.
Center Conductor	$\leq 3.0 M\Omega$
Outer Conductor	$\leq 5.0 M\Omega$
Insulation Resistance	$\geq 5,000 M\Omega$
Insulator Voltage Withstanding	1,000 Volts

RoHS Compliant**Mechanical Data**

Durability 500 Cycles Min.

Standards

Interface Per MIL-STD-348



Drawing not to scale. Dimensions for reference only

Units: inches (mm)

Konnect RFWWW.KONNECTRF.COM
1-800-790-5887

PART NUMBER

KCC177769

DESCRIPTION

SMA Straight Male Plug Receptacle, 4 Hole Flange Mount, Slot Terminal, Captivated Contact

CAGE CODE

664U0

SIGNATURE

X

THIS DRAWING INCLUDING THE DESIGNS IS THE PROPERTY OF KONNECT RF AND IS NOT TO BE USED FOR ANY PURPOSE WITHOUT OUR APPROVAL.

ComponentBody & Coupling Cap
Center Contact
Insulator**Material**Stainless Steel
BeCu
PTFE**Plating/Finish**Passivated
Gold