

PART NUMBER

KCC177734

REV.

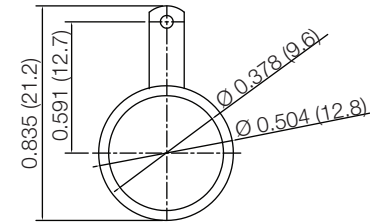
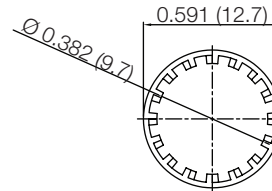
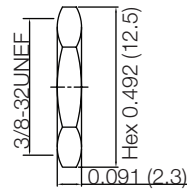
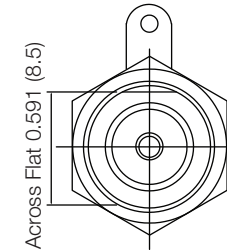
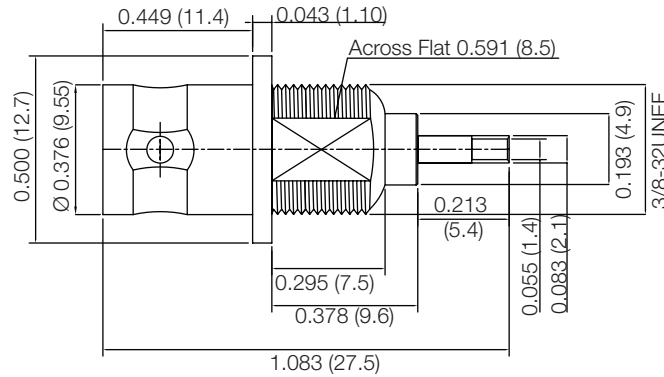
DATE

COMMENTS

INITIAL

Electrical Data

Impedance 50 Ω

RoHS Compliant

Drawing not to scale. Dimensions for reference only

Units: inches (mm)

Konnect RFWWW.KONNECTRF.COM
1-800-790-5887

PART NUMBER

KCC177734

DESCRIPTION

**BNC Straight Female Jack Receptacle,
Bulkhead Front Mount, Solder Pot**

CAGE CODE

664U0

SIGNATURE

X

THIS DRAWING INCLUDING THE
DESIGNS IS THE PROPERTY OF
KONNECT RF AND IS NOT TO
BE USED FOR ANY PURPOSE
WITHOUT OUR APPROVAL.**Component**Body
Washer & Ground Ring
Nut
Center Contact
Insulator**Material**Brass
Steel
Steel
Brass
Delrin**Plating**Nickel
Nickel
Nickel
Gold