

PART NUMBER

KCC177723

REV.

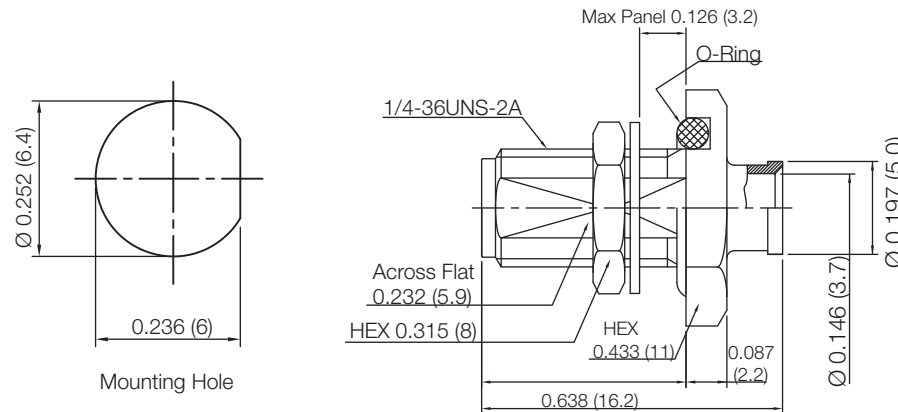
DATE

COMMENTS

INITIAL

Electrical Data

Impedance 50 Ω

RoHS Compliant

Drawing not to scale. Dimensions for reference only

Units: inches (mm)

Konnect RF

WWW.KONNECTRF.COM
1-800-790-5887

PART NUMBER

KCC177723

DESCRIPTION

SMA Straight Female Jack, Bulkhead Rear Mount, Solder

CAGE CODE

664U0

SIGNATURE

X

Cable Types: .141 S/R (RG-402)

THIS DRAWING INCLUDING THE DESIGNS IS THE PROPERTY OF KONNECT RF AND IS NOT TO BE USED FOR ANY PURPOSE WITHOUT OUR APPROVAL.

Component

Body & Nut
Center Contact
Washer
Insulator
O-Ring Seal

Material

Brass
BeCu
Stainless Steel
PTFE
Silicone Rubber

Plating

White Bronze
Gold
White Bronze