

PART NUMBER

**KCC177718**

REV.

DATE

COMMENTS

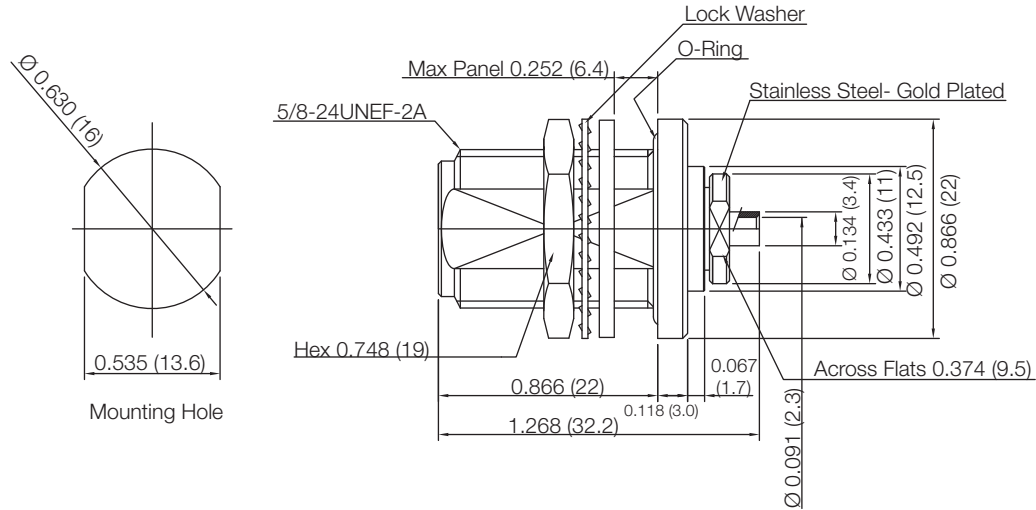
INITIAL

**RoHS Compliant****Electrical Data**

Impedance 50 Ω  
 Frequency Range DC - 18 GHz.  
 Working Voltage 1,000 VRMS  
 Insulation Resistance 5,000 MΩ min  
 Dielectric Withstanding Voltage 750V min  
 VSWR 1.35 @ 4 GHz Max

**Mechanical Data**

Temperature Range: -55 °C - 165 °C



**VSWR and Frequency Range Specifications are for reference and are dependant on cable type and other application specific conditions**

**Drawing not to scale. Dimensions for reference only**

**Units: inches (mm)**

WWW.KONNECTRF.COM  
 1-800-790-5887

PART NUMBER

**KCC177718**

DESCRIPTION

**N Straight Female Jack, Solder, Bulkhead Rear Mount, O-Ring Seal**

CAGE CODE

**664U0**

SIGNATURE

X

THIS DRAWING INCLUDING THE DESIGNS IS THE PROPERTY OF KONNECT RF AND IS NOT TO BE USED FOR ANY PURPOSE WITHOUT OUR APPROVAL.

**Cable Types:** .085 S/R (RG-405)**Component**

Body, Nut , & Washer  
 Center Contact  
 Insert Pin  
 O-Ring Seal  
 Insulator

**Material**

Stainless Steel  
 BeCu  
 Brass  
 Silicone Rubber  
 PTFE

**Plating/Finish**

Passivated  
 Gold  
 Gold