

PART NUMBER

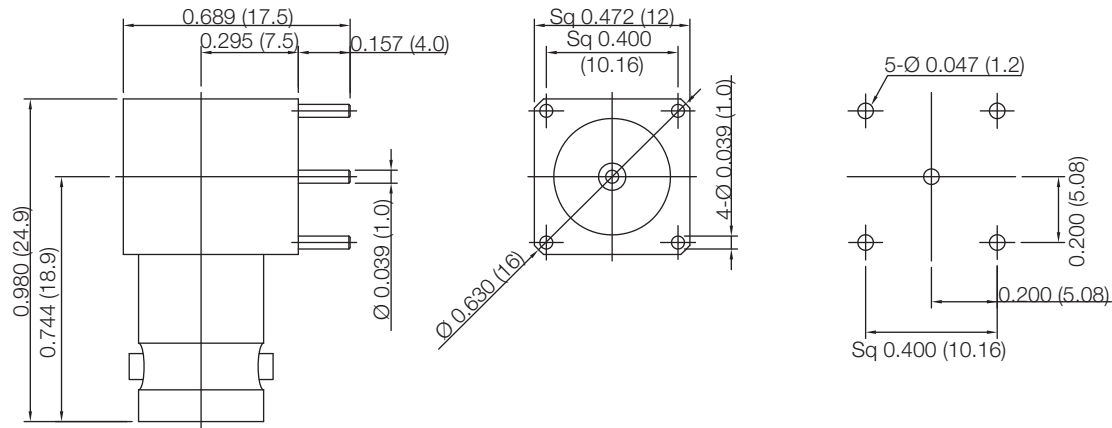
**KCC177711**

REV.

DATE

COMMENTS

INITIAL

**Electrical Data**Impedance 75  $\Omega$ **RoHS Compliant**

Drawing not to scale. Dimensions for reference only

Units: inches (mm)

**Konnect RF**WWW.KONNECTRF.COM  
1-800-790-5887

PART NUMBER

**KCC177711**

DESCRIPTION

**BNC Right Angle Female Jack 4 Leg PC Board Receptacle**

CAGE CODE

**664U0**

SIGNATURE

X

THIS DRAWING INCLUDING THE  
DESIGNS IS THE PROPERTY OF  
KONNECT RF AND IS NOT TO  
BE USED FOR ANY PURPOSE  
WITHOUT OUR APPROVAL.**Component**Body & Mounting Pin  
Center Contact  
Insulator**Material**Brass  
BeCu  
PTFE**Plating/Finish**White Bronze  
Gold