

PART NUMBER

KCC177701

REV.

DATE

COMMENTS

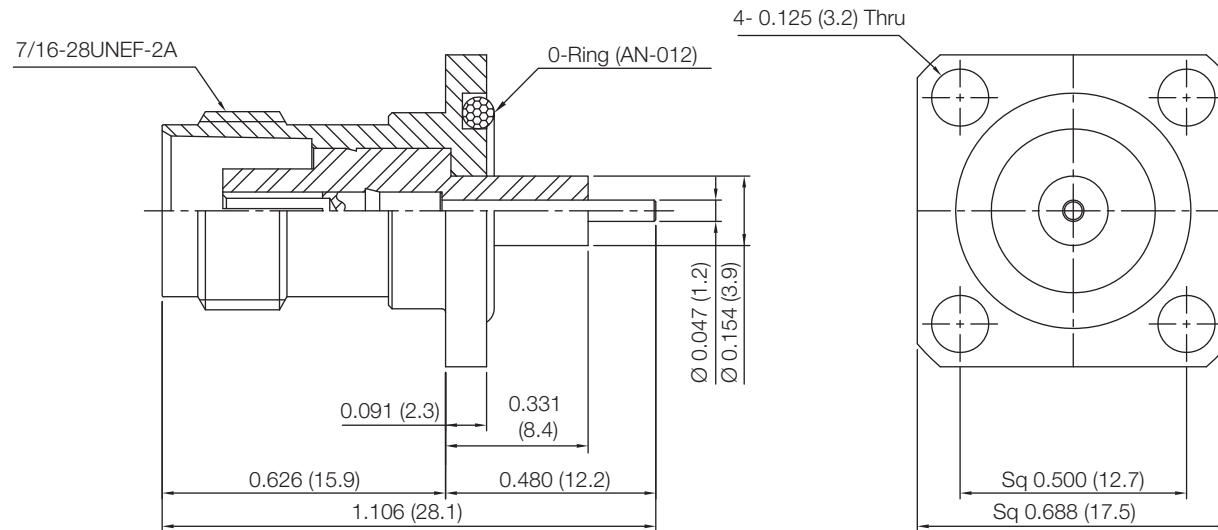
INITIAL

Electrical Data

Impedance	50 Ω
Frequency Range	DC - 11 GHz.
Insulation Resistance	$\geq 5,000$ M Ω
Dielectric Withstanding Voltage	1,000 VRMS
VSWR	1.2 @ 300-500 MHz

Mechanical Data

Durability	500 Cycles Min.
Radial Torque	4 inch - ounces min
Axial Force	6.0 pounds min
Temperature Range:	-55 $^{\circ}$ C - 125 $^{\circ}$ C

RoHS Compliant

Drawing not to scale. Dimensions for reference only

Units: inches (mm) Tolerance: +/- .002 (.05)

Konnect RF

WWW.KONNECTRF.COM
1-800-790-5887

PART NUMBER

KCC177701

DESCRIPTION

TNC Straight Female Jack Receptacle, 4 Hole Flange Mount (.688\"/>

CAGE CODE

664U0

SIGNATURE

X

THIS DRAWING INCLUDING THE DESIGNS IS THE PROPERTY OF KONNECT RF AND IS NOT TO BE USED FOR ANY PURPOSE WITHOUT OUR APPROVAL.

Component

Body
Center Contact

Material

Brass
BeCu
Brass
PTFE

Plating

Nickel
Gold