

PART NUMBER

KCC177655

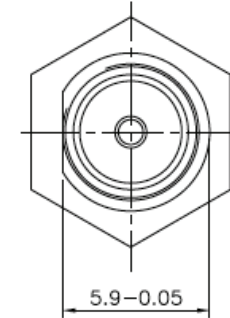
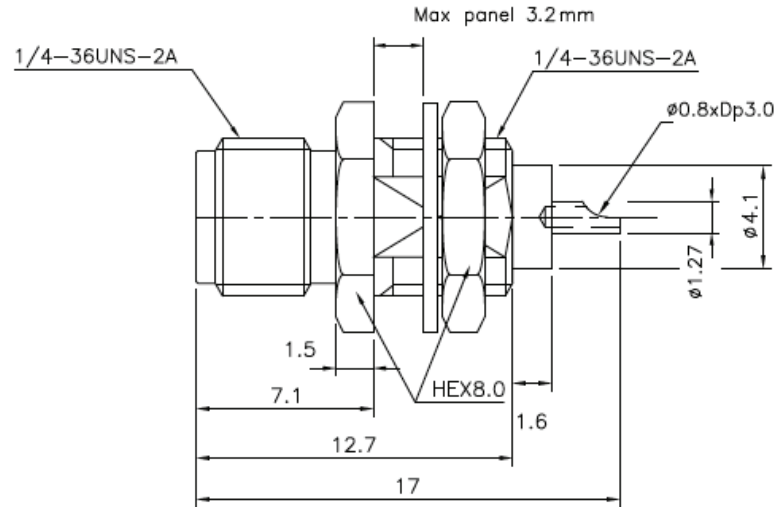
REV.

INITIAL

Electrical Data

Impedance

50 Ω

RoHS Compliant

VSWR and Frequency Range Specifications
are for reference and are dependant on cable
type and other application specific conditions

Drawing not to scale. Dimensions for reference only

Units: mm [inches]

MM	INCHES
3.2	[.126]
0.8	[.031]
3.0	[.118]
1.5	[.059]
7.1	[.280]
12.7	[.500]
1.6	[.063]
17	[.669]
5.9	[.232]
0.05	[.002]

WWW.KONNECTRF.COM
1-800-790-5887

PART NUMBER

KCC177655

DESCRIPTION

**SMA Straight Female Jack Receptacle
Bulkhead Front Mount - Solder Pot**

CAGE CODE

664U0

SIGNATURE

X

Materials

Body / Washer
Center Contact
Nut
Insulator

Stainless Steel
Be.Cu
Brass
PTFE

Gold Plated
Gold Plated
Gold Plated

THIS DRAWING INCLUDING THE
DESIGNS IS THE PROPERTY OF
KONNECT RF AND IS NOT TO
BE USED FOR ANY PURPOSE
WITHOUT OUR APPROVAL.