

PART NUMBER

KCC177653

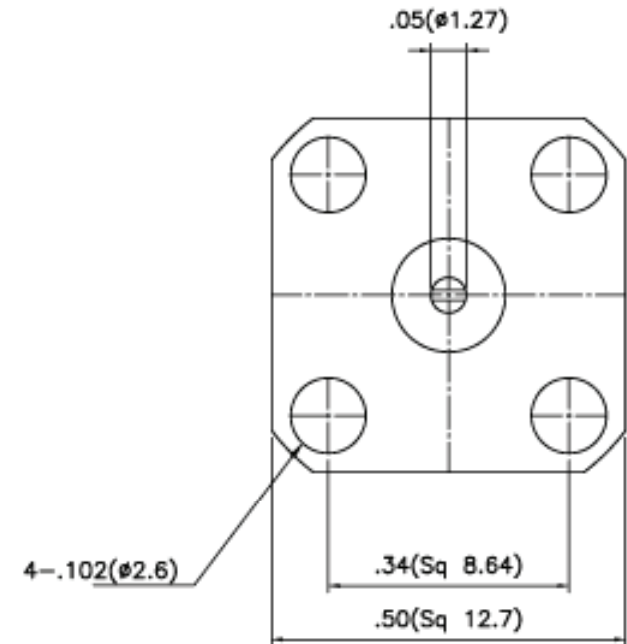
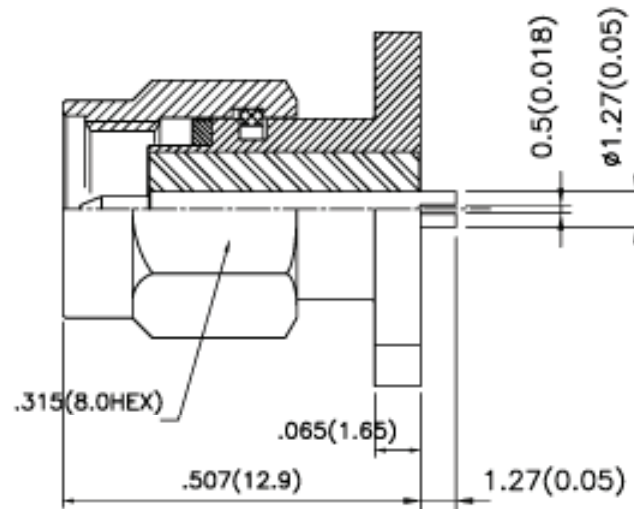
REV.

INITIAL

Electrical Data

Impedance

50 Ω

RoHS Compliant

VSWR and Frequency Range Specifications
are for reference and are dependant on cable
type and other application specific conditions

Drawing not to scale. Dimensions for reference only

WWW.KONNECTRF.COM
540 NW University Blvd. Ste. 109
Port Saint Lucie, Florida, 34986
1-800-790-5887

PART NUMBER

KCC177653

DESCRIPTION

**SMA Straight Male Plug Receptacle
4 Hole Flange Mount - Slot Terminal**

CAGE CODE

664U0

SIGNATURE

X

Materials

Body / Coupling
Center Contact
Insulator

Stainless Steel
Be.Cu
PTFE

Gold Plated
Gold Plated

THIS DRAWING INCLUDING THE
DESIGNS IS THE PROPERTY OF
KONNECT RF AND IS NOT TO
BE USED FOR ANY PURPOSE
WITHOUT OUR APPROVAL.