

PART NUMBER

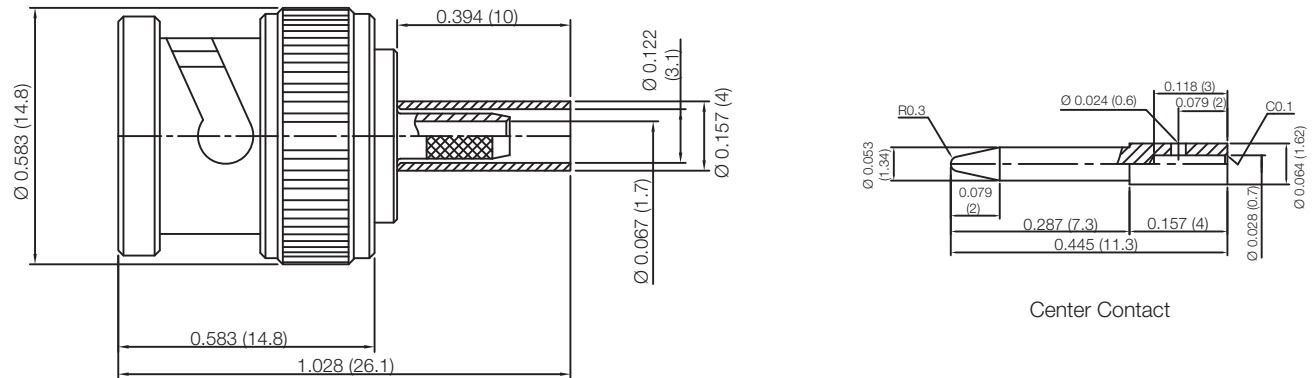
KCC177648

REV.

INITIAL

Electrical Data

Impedance 50 Ω
 Frequency Range DC - 4 GHz
 Temperature Range -55°C to + 155°C

RoHS Compliant

VSWR and Frequency Range Specifications
 are for reference and are dependant on cable
 type and other application specific conditions

Drawing not to scale. Dimensions for reference only

Units: Inches (mm)

20002/95/EC (RoHS) : Compliant

Konnect RF

WWW.KONNECTRF.COM
 1-800-790-5887

PART NUMBER

KCC177648

DESCRIPTION

BNC Straight Male Plug, Crimp/Solder

CAGE CODE

664U0

SIGNATURE

X

Cable Types: RG-174, 188, 316 and LMR-100

THIS DRAWING INCLUDING THE
 DESIGNS IS THE PROPERTY OF
 KONNECT RF AND IS NOT TO
 BE USED FOR ANY PURPOSE
 WITHOUT OUR APPROVAL.

Component

Body
 Coupling Cap
 Center Contact
 Ferrule
 Insulator

Material

Brass
 Zinc
 Brass
 Brass
 PTFE

Plating

Nickel
 Nickel
 Gold
 Nickel