

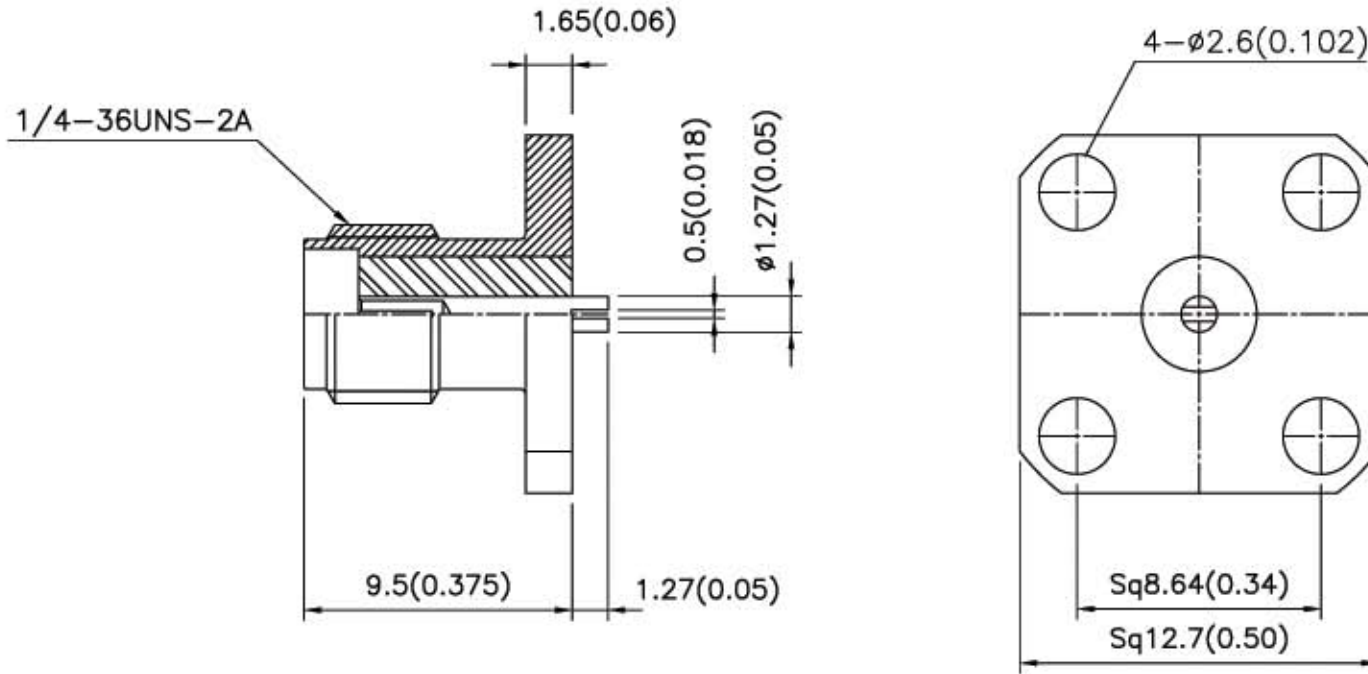
PART NUMBER

**KCC177644**

REV.

INITIAL

RoHS Compliant



540 NW University Blvd. Ste. 109  
Port Saint Lucie, Florida, 34986  
1-800-790-5887

PART NUMBER

**KCC177644**

DESCRIPTION **SMA Straight Female Jack 4 Hole Flange  
Mount (SQ .5'') Slot Terminal Receptacle**

CAGE CODE

**664U0**

SIGNATURE

X

NOTES 1. INTERFACE PER MIL-STD-348

2. MATERIALS

INSULATOR: TEFLON

CENTER CONTACT: BERYLLIUM COPPER

BODY: STAINLESS STEEL 303

3. FINISHES

CENTER CONTACT: GOLD PLATE

BODY: GOLD PLATED

4. FOR NON-CAPTIVATED CONNECTORS, CENTER CONTACT IS PACKAGED AND SHIPPED UNASSEMBLED.

THIS DRAWING INCLUDING THE  
DESIGNS IS THE PROPERTY OF  
KONNECT RF AND IS NOT TO  
BE USED FOR ANY PURPOSE  
WITHOUT OUR APPROVAL.