

PART NUMBER

KCC177608

REV.

DATE

COMMENTS

INITIAL

A

2-4-2013

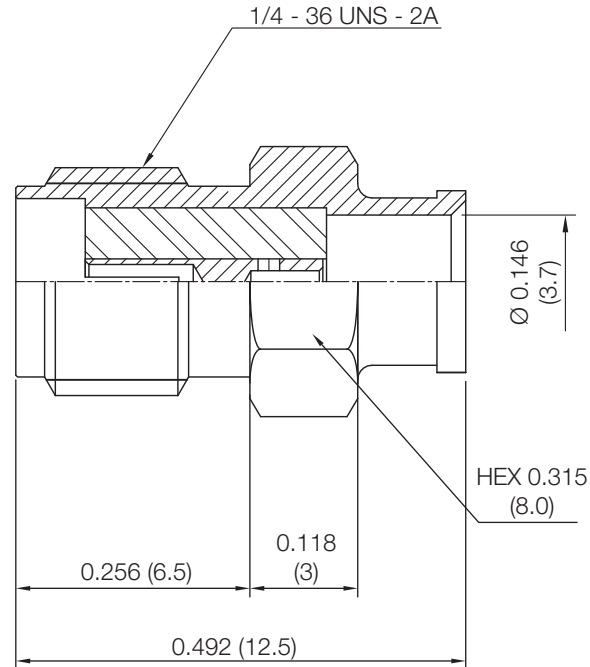
Corrected Hex Dimension

RoHS Compliant**Electrical Data**

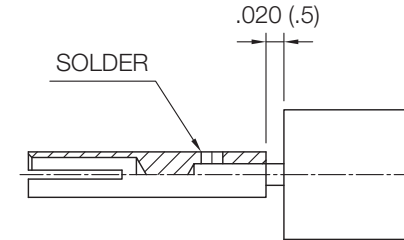
Impedance	50 Ω
Frequency Range	DC - 18 GHz.
Insertion Loss	0.05 \sqrt{F} (GHz)
Working Voltage	335 VRMS Max
Insulation Resistance	$\geq 5,000$ M Ω min
Dielectric Withstanding Voltage	750 V min
VSWR	1.20 @ 18GHz max

Mechanical Data

Temperature Range: -55 °C - 145 °C



CONTACT SOLDERING LAYOUT



Drawing not to scale. Dimensions for reference only

Units: inches (mm)

Konnnect RF

WWW.KONNECTRF.COM
1-800-790-5887

PART NUMBER

KCC177608

DESCRIPTION

SMA Straight Female Jack

CAGE CODE

664U0

SIGNATURE

X

THIS DRAWING INCLUDING THE
DESIGNS IS THE PROPERTY OF
KONNECT RF AND IS NOT TO
BE USED FOR ANY PURPOSE
WITHOUT OUR APPROVAL.

Cable Types: .141 SR (RG-402)**Component**
Body**Material**
Brass**Plating/Finish**
Gold Plated 0.04-0.06um
Over Nickel 2-4um Plate

Center Contact

BeCu

Gold Plated 0.04-0.06um
Over Nickel 2-4um Plate

Insulator

PTFE