

PART NUMBER

KCC177600

REV.

A

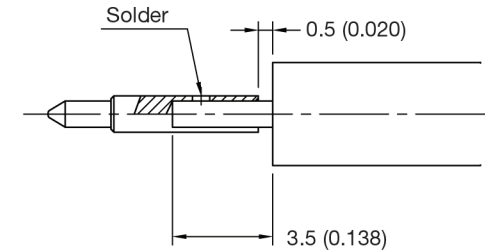
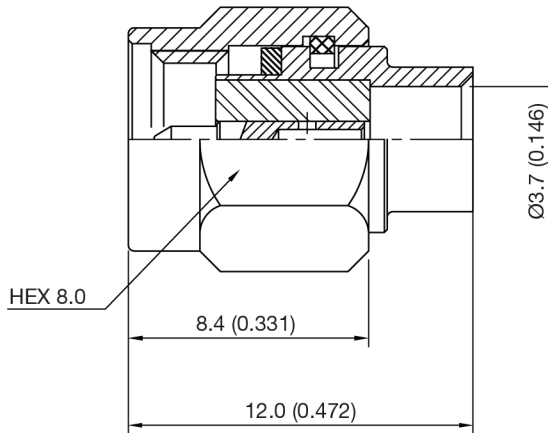
09/22/2011

Added Electric Specs

INITIAL

*MP***Electrical Data**

Impedance	50 Ω
Frequency Range	DC-18 GHz
VSWR	1.25:1
Temperature Range	-55°C to 155°C

RoHS Compliant

Center Contact Assembly

VSWR and Frequency Range Specifications are for reference and are dependant on cable type and other application specific conditions

Drawing not to scale. Dimensions for reference only

Units: mm (inches)

Konnect RF

WWW.KONNECTRF.COM
1-800-790-5887

PART NUMBER

KCC177600

DESCRIPTION

SMA Straight Male Plug, Solder

CAGE CODE

664U0

SIGNATURE

*X***Cable Types:** .141 Semi Rigid (RG-402)**Component**

Body
Coupling Nut
Center Contact
Insulator

Material

Stainless Steel
Stainless Steel
Brass
PTFE

Plating

Gold
Passivated
Gold

THIS DRAWING INCLUDING THE DESIGNS IS THE PROPERTY OF KONNECT RF AND IS NOT TO BE USED FOR ANY PURPOSE WITHOUT OUR APPROVAL.