

PART NUMBER

**KCC177599**

REV.

DATE

COMMENTS

INITIAL

A

04/08/16

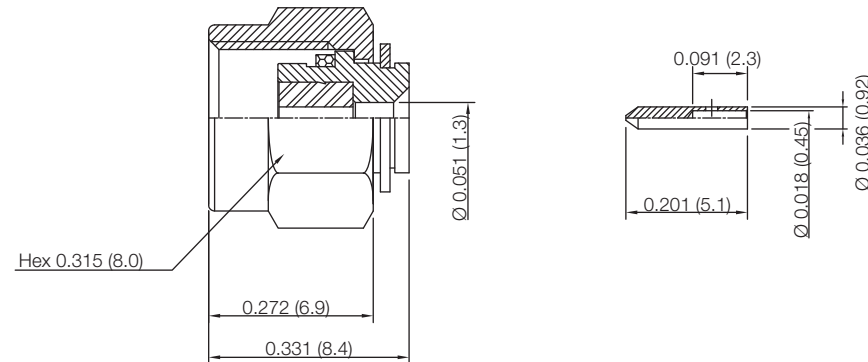
Updated Electrical Specs

*MF***Electrical Data**

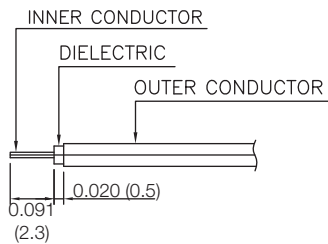
Impedance	50 $\Omega$
Frequency Range	DC - 18 GHz.
Voltage Rating	500 Max
Insulation Resistance	5,000 M $\Omega$
Dielectric Withstanding Voltage	750 VRMS
VSWR	1.20 max @ 18 GHz

**Mechanical Data**

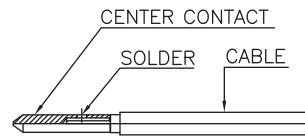
Temperature Range: -65 °C - 165 °C

**RoHS Compliant**

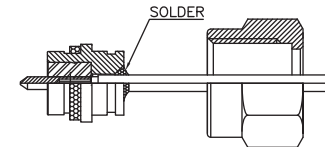
Stripping Dimensions



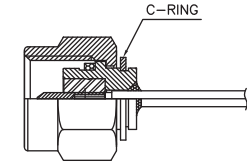
Center Contact Attachment



Connector Body Assembly



Apply C-Ring

**Drawing not to scale. Dimensions for reference only****Units: inches (mm)**

\*Coupling Cap, Gasket, C-Ring, &amp; Center Contact shipped unassembled

**Konnect RF**

WWW.KONNECTRF.COM  
1-800-790-5887

PART NUMBER

**KCC177599**

DESCRIPTION

**SMA Straight Male Plug, Short Body (0.33"), Solder**

CAGE CODE

**664U0**

SIGNATURE

**X**

THIS DRAWING INCLUDING THE  
DESIGNS IS THE PROPERTY OF  
KONNECT RF AND IS NOT TO  
BE USED FOR ANY PURPOSE  
WITHOUT OUR APPROVAL.

**Cable Type:** .047 S/R**Component**

Body  
Coupling Cap  
Center Contact  
C-Ring  
Gasket  
Insulator

**Material**

Stainless Steel  
Stainless Steel  
Brass  
Stainless Steel  
Silicone Rubber  
PTFE

**Plating/Finish**

Gold  
Passivated  
Gold  
Passivated