

PART NUMBER

KCC177553

REV.

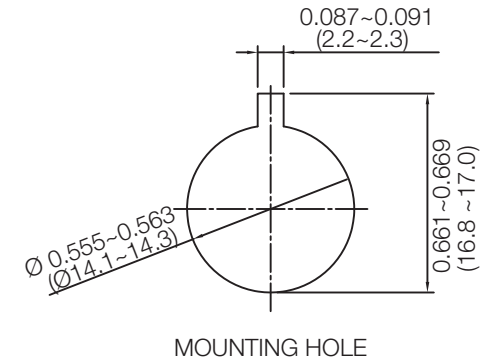
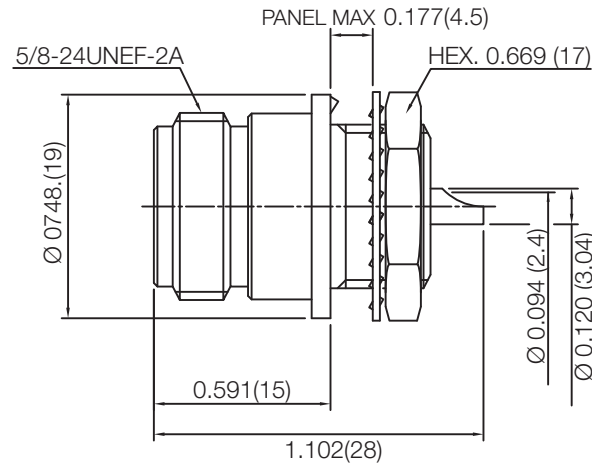
DATE

COMMENTS

INITIAL

Electrical Data

Impedance 50Ω

RoHS Compliant

Drawing not to scale. Dimensions for reference only

Units: inches (mm)

Konnect RFWWW.KONNECTRF.COM
1-800-790-5887

PART NUMBER

KCC177553

DESCRIPTION

**N Straight Female Jack Receptacle,
Bulkhead Front Mount, Solder Pot**

CAGE CODE

664U0

SIGNATURE

X

THIS DRAWING INCLUDING THE
DESIGNS IS THE PROPERTY OF
KONNECT RF AND IS NOT TO
BE USED FOR ANY PURPOSE
WITHOUT OUR APPROVAL.

Component

Body, Nut, & Washer
Center Contact
Insulator

Material

Brass
BeCu
PTFE

Plating/Finish

White Bronze
Gold