

PART NUMBER

KCC177534

REV.

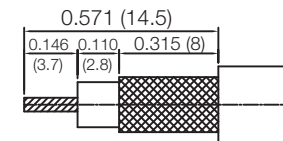
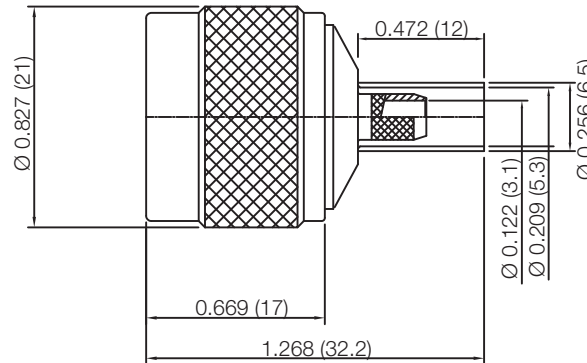
DATE

COMMENTS

INITIAL

Electrical Data

Impedance 50 Ω

RoHS Compliant

Recommended Cable Stripping Dimensions
Recommended Crimp Dies Hex 0.217 (5.5)

Drawing not to scale. Dimensions for reference only

Units: inches (mm)

Konnect RF

WWW.KONNECTRF.COM
1-800-790-5887

PART NUMBER

KCC177534

DESCRIPTION

N Striaght Male Plug, Crimp

CAGE CODE

664U0

SIGNATURE

X

Cable Types: RG-58**Component**

Body & Nut
Center Contact
Insulator

Material

Brass
Brass

Plating

Nickel
Gold

THIS DRAWING INCLUDING THE
DESIGNS IS THE PROPERTY OF
KONNECT RF AND IS NOT TO
BE USED FOR ANY PURPOSE
WITHOUT OUR APPROVAL.