

PART NUMBER

KCC177524

REV.

DATE

COMMENTS

INITIAL

A

12-03-12

Changed Ferrule Outer Diameter to .296

B

12-03-12

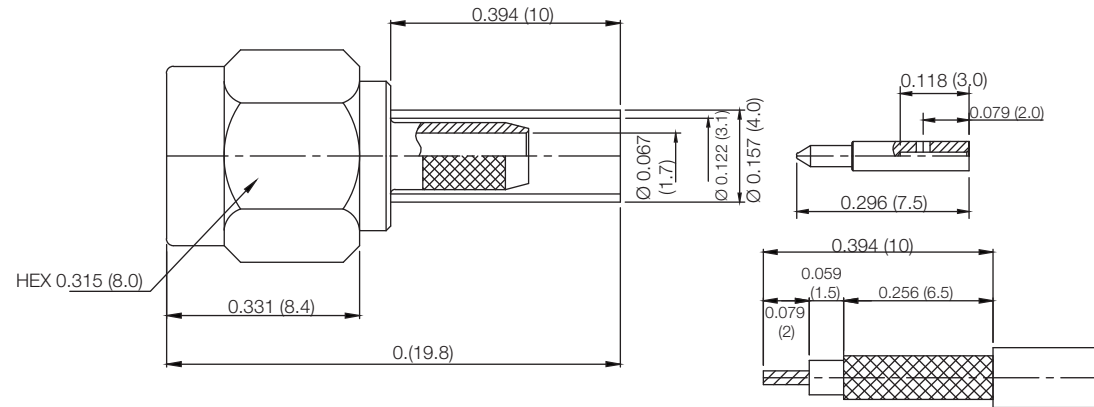
Added Barb Captivation for Insulator

Electrical Data

Impedance	50 Ω
Frequency Range	DC - 6 GHz.
Working Voltage	480 VRMS
Contact Resistance	
Center	≤ 2.0 m Ω
Outer	≤ 3.0 m Ω
Insulation Resistance	$\geq 5,000$ M Ω
Dielectric Withstanding Voltage	1,000 VRMS
VSWR	≤ 1.2

RoHS Compliant**Mechanical Data**

Durability	500 Cycles Min.
Temperature Range:	-55 °C - 155 °C



Recommended Stripping Dimension's
Recommended Crimp DIES Hex 0.130 (3.3)

Drawing not to scale. Dimensions for reference only

Units: inches (mm)

Konnect RF

WWW.KONNECTRF.COM
1-800-790-5887

PART NUMBER

KCC177524

DESCRIPTION

SMA Straight Male Plug, Crimp

CAGE CODE

664U0

SIGNATURE

X

THIS DRAWING INCLUDING THE
DESIGNS IS THE PROPERTY OF
KONNECT RF AND IS NOT TO
BE USED FOR ANY PURPOSE
WITHOUT OUR APPROVAL.

Cable Types: RG-8, LMR-240**Component**

Body, Coupling Nut
Ferrule
Center Contact
Insulator

Material

Brass
Brass
Brass
PTFE

Plating

Gold
Gold
Gold