

PART NUMBER

KCC177493

REV.

DATE

COMMENTS

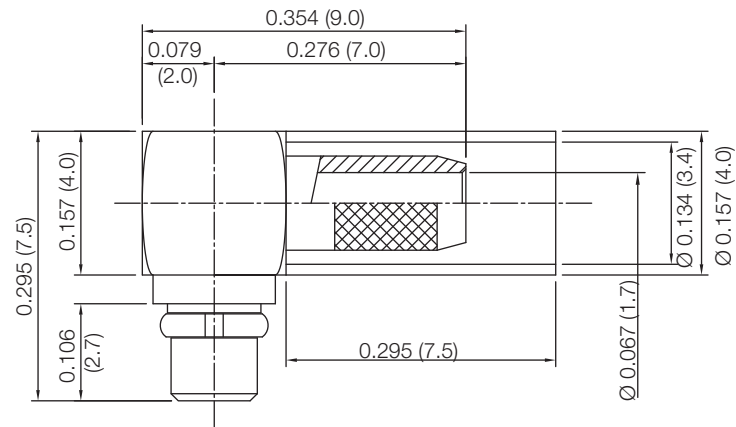
INITIAL

Electrical Data

Impedance 50 Ω
 Frequency Range DC - 6 GHz.

RoHS Compliant**Mechanical Data**

Durability 500 Cycles Min.
 Engagement Force 3.4 lbs max
 Disengagement Force 1.4 lbs to 3.4 lbs



Drawing not to scale. Dimensions for reference only

Units: inches (mm)

Konnect RF

WWW.KONNECTRF.COM
 1-800-790-5887

PART NUMBER

KCC177493

DESCRIPTION

MMCX Right Angle Male Plug, Crimp

CAGE CODE

664U0

SIGNATURE

X

Cable Types: RG-316DS, LMR100

Component	Material	Plating
Body & Ferrule	Brass	Gold
C-Ring	BeCu	Gold
Center Contact	Brass	Gold
Insulator	PTFE	

THIS DRAWING INCLUDING THE
 DESIGNS IS THE PROPERTY OF
 KONNECT RF AND IS NOT TO
 BE USED FOR ANY PURPOSE
 WITHOUT OUR APPROVAL.