

PART NUMBER

KCC177480

REV.

DATE

COMMENTS

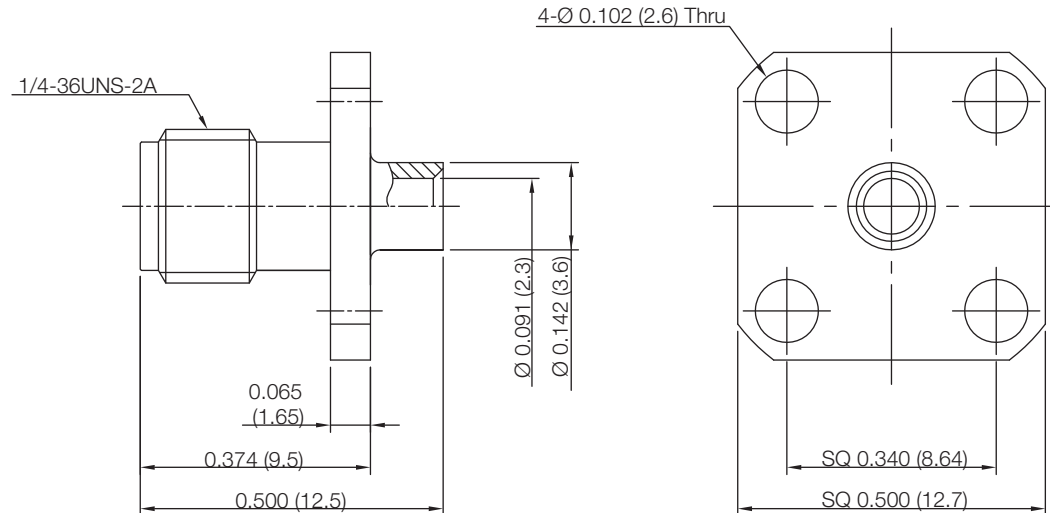
INITIAL

RoHS Compliant**Electrical Data**

Impedance	50 Ω
Frequency Range	DC - 18.0GHz.
Contact Current	DC 2.0A max
Insertion Loss	0.05 \sqrt{f} (GHz) dB
Working Voltage	750V
Contact Resistance	
Center	3.0 m Ω
Outer	2.5 m Ω
RF Leakage	-60dBm min. between 2-3GHz
Life	500 matings
Contact Captivation	≥ 27 N
Insulation Resistance	5,000M Ω min.
VSWR	$\leq 1.05 + 0.015f$ (GHz)

Mechanical Data

Temperature Range: -55 °C - 155 °C



Drawing not to scale. Dimensions for reference only

Units: inches (mm)

Konnect RF

WWW.KONNECTRF.COM
1-800-790-5887

PART NUMBER

KCC177480

DESCRIPTION

SMA Straight Female Jack, 4 Hole Flange Mount, Solder

CAGE CODE

664U0

SIGNATURE

X

Cable Types: .085 S/R (RG-405)**Component**

Body
Center Contact
Insulator

Material

Stainless Steel
BeCu
PTFE

Plating

Gold
Gold

THIS DRAWING INCLUDING THE
DESIGNS IS THE PROPERTY OF
KONNECT RF AND IS NOT TO
BE USED FOR ANY PURPOSE
WITHOUT OUR APPROVAL.