

PART NUMBER

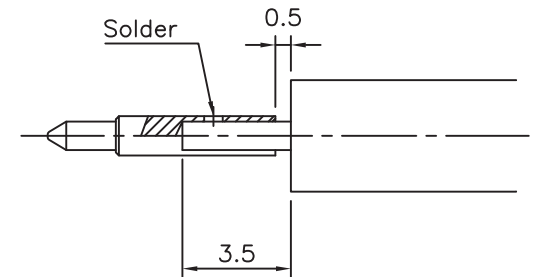
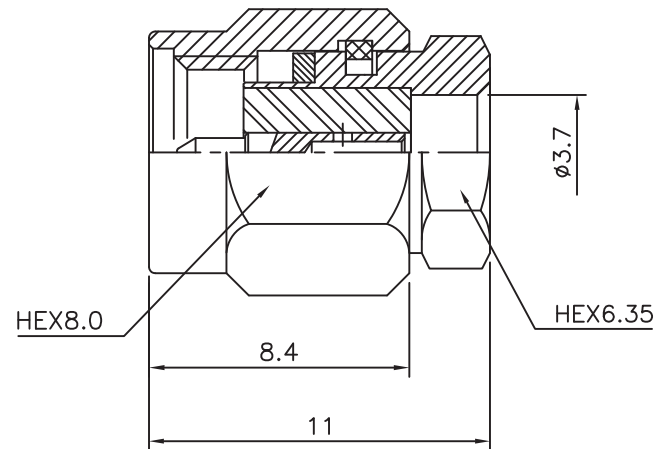
KCC177458

REV.

INITIAL

Electrical Data

Impedance	50 Ω
Frequency Range	DC - 18 GHz
Insertion Loss	0.15 dB Max @ 18 GHz
VSWR	1.20:1 Max @ 18 GHz
Temperature Range	-55°C to + 155°C

RoHS Compliant

VSWR and Frequency Range Specifications
are for reference and are dependant on cable
type and other application specific conditions

Drawing not to scale. Dimensions for reference only

Units: mm

WWW.KONNECTRF.COM
1-800-790-5887

PART NUMBER

KCC177458

DESCRIPTION

SMA Straight Male Plug (Anti-Torque), Solder

CAGE CODE

664U0

SIGNATURE

X

Cable Types: .141 Conformable (RG-402)**Component**

Body & Coupling Cap
Center Contact
Gasket
Insulator

Material

Brass
Brass
Silicone Rubber
PTFE

Plating

Gold
Gold

THIS DRAWING INCLUDING THE
DESIGNS IS THE PROPERTY OF
KONNECT RF AND IS NOT TO
BE USED FOR ANY PURPOSE
WITHOUT OUR APPROVAL.