

PART NUMBER

**KCC177427**

REV.

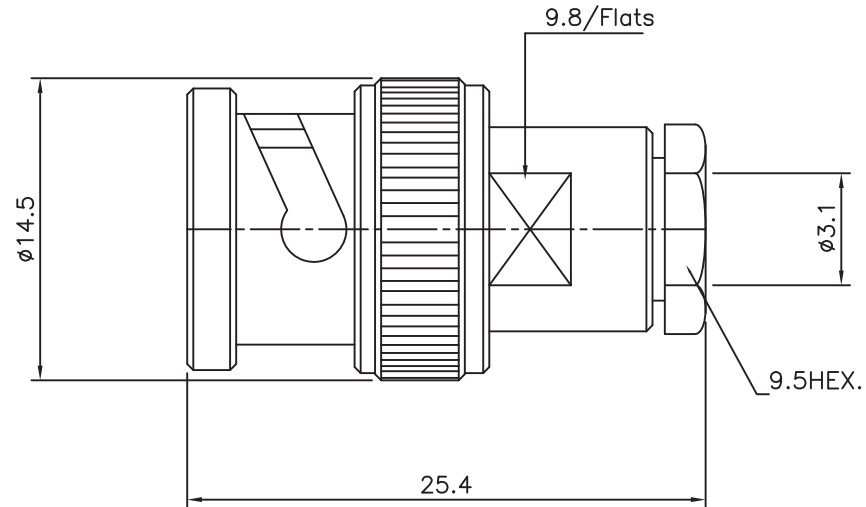
INITIAL

**Electrical Data**

Impedance 50  $\Omega$   
 Frequency Range DC - 4 GHz.  
 VSWR  $\leq 1.3:1$

**RoHS Compliant****Mechanical Data**

Durability 500 Cycles Min.  
 Temperature Range: -55 °C - 155 °C



VSWR and Frequency Range Specifications  
 are for reference and are dependant on cable  
 type and other application specific conditions

Drawing not to scale. Dimensions for reference only

Units: mm

WWW.KONNECTRF.COM  
 1-800-790-5887

PART NUMBER

**KCC177427**

DESCRIPTION

**BNC Straight Male Plug, Clamp**

CAGE CODE

**664U0**

SIGNATURE

X

**Cable Types:** RG-174, 316**Component**

Body, Coupling Nut  
 Center Contact  
 Insulator

**Material**

Brass  
 Brass  
 PTFE

**Plating**

Silver  
 Gold

THIS DRAWING INCLUDING THE  
 DESIGNS IS THE PROPERTY OF  
 KONNECT RF AND IS NOT TO  
 BE USED FOR ANY PURPOSE  
 WITHOUT OUR APPROVAL.