

PART NUMBER

KCC177407

REV.

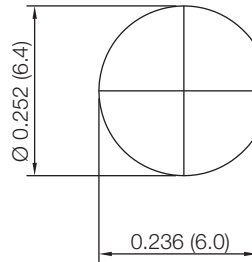
DATE

COMMENTS

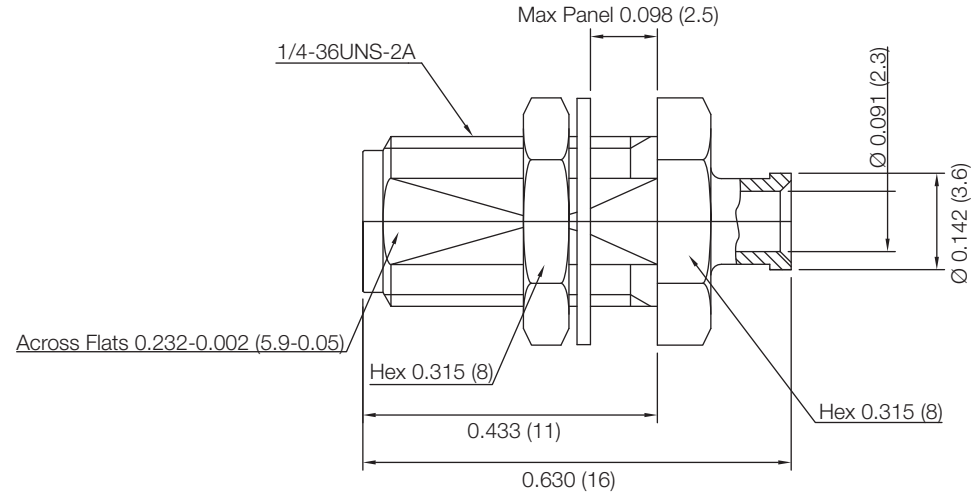
INITIAL

Electrical Data

Impedance 50 Ω
 Frequency Range DC - 18 GHz.
 Working Voltage Rating 335 VRMS
 Dielectric Withstanding Voltage 1,000 VRMS
 VSWR $\leq 1.2:1$ Max @ 12 GHz

RoHS Compliant

Mounting Hole



VSWR and Frequency Range Specifications
 are for reference and are dependant on cable
 type and other application specific conditions

Drawing not to scale. Dimensions for reference only

Units: inches (mm)

Konnect RF

WWW.KONNECTRF.COM
 1-800-790-5887

PART NUMBER

KCC177407

DESCRIPTION

**SMA Straight Female Jack, Bulkhead
Rear Mount, Solder**

CAGE CODE

664U0

SIGNATURE

X

Cable Types: .085 Multi-Flexible (RG-405), .085 S/R**Component**

Body, Nut, & Washer
 Center Contact
 Insulator

Material

Brass
 BeCu
 PTFE

Plating

Gold
 Gold

THIS DRAWING INCLUDING THE
 DESIGNS IS THE PROPERTY OF
 KONNECT RF AND IS NOT TO
 BE USED FOR ANY PURPOSE
 WITHOUT OUR APPROVAL.