

PART NUMBER

**KCC177386**

REV.

DATE

COMMENTS

INITIAL

**Electrical Data**

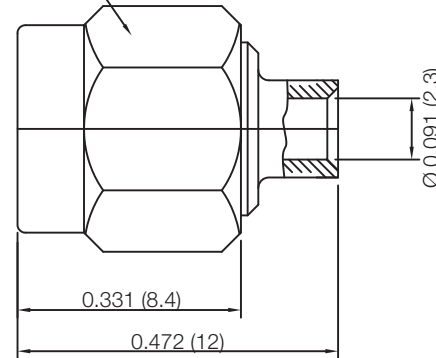
Impedance 50  $\Omega$   
 Frequency Range DC - 18 GHz.  
 Insertion Loss 0.15 dB max @ 18 GHz  
 VSWR 1.20 Max @ 18 GHz

**Mechanical Data**

Temperature Range: -55 °C - 155 °C

**RoHS Compliant**

Hex 0.315 (8.0)



**VSWR and Frequency Range Specifications**  
 are for reference and are dependant on cable  
 type and other application specific conditions

Drawing not to scale. Dimensions for reference only

Units: inches (mm)

WWW.KONNECTRF.COM  
 1-800-790-5887

PART NUMBER

**KCC177386**

DESCRIPTION

**SMA Straight Male Plug, Solder**

CAGE CODE

**664U0**

SIGNATURE

X

THIS DRAWING INCLUDING THE  
 DESIGNS IS THE PROPERTY OF  
 KONNECT RF AND IS NOT TO  
 BE USED FOR ANY PURPOSE  
 WITHOUT OUR APPROVAL.

**Cable Types:** .085 S/R (RG-405)**Component**

Body  
 Nut  
 Center Contact  
 Insulator

**Material**

Stainless Steel  
 Brass  
 Brass  
 PTFE

**Plating/Finish**

Gold  
 Nickel  
 Gold