

PART NUMBER

KCC177323

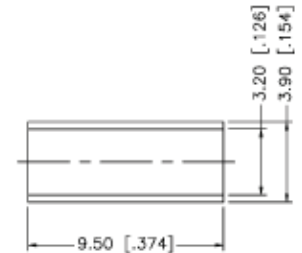
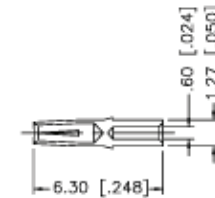
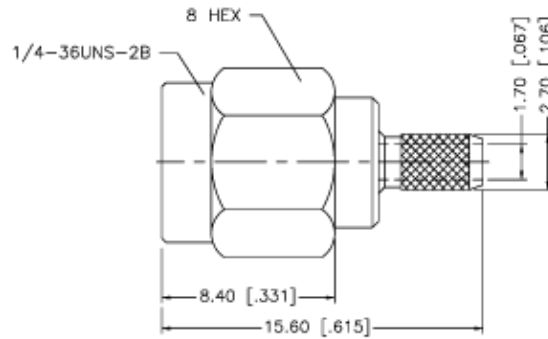
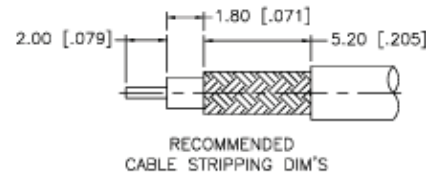
REV.

INITIAL

Electrical Data

Impedance

50 Ω

RoHS Compliant

VSWR and Frequency Range Specifications
are for reference and are dependant on cable
type and other application specific conditions

Drawing not to scale. Dimensions for reference only

WWW.KONNECTRF.COM
540 NW University Blvd. Ste. 109
Port Saint Lucie, Florida, 34986
1-800-790-5887

PART NUMBER

KCC177323

DESCRIPTION

**SMA Straight Male Plug Reverse Polarity
Crimp**

CAGE CODE

664U0

SIGNATURE

X

Cable Types **RG 174, 188, 316**

Materials

Body
Contact Pin
Ferrule
Insulator

Brass
Be.Cu
Copper
PTFE

Gold Plated
Gold Plated
Gold Plated

THIS DRAWING INCLUDING THE
DESIGNS IS THE PROPERTY OF
KONNECT RF AND IS NOT TO
BE USED FOR ANY PURPOSE
WITHOUT OUR APPROVAL.