

PART NUMBER

**KCC177314**

REV.

INITIAL

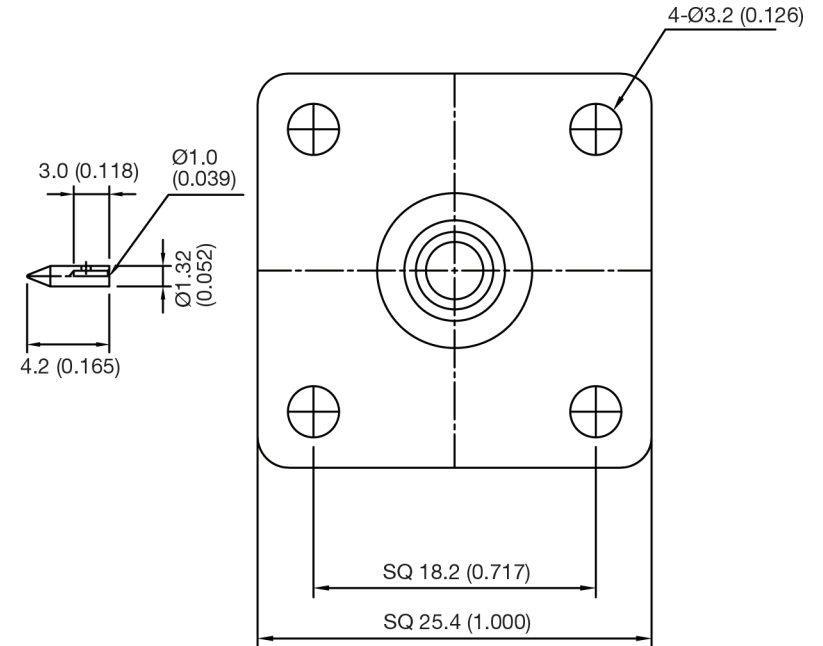
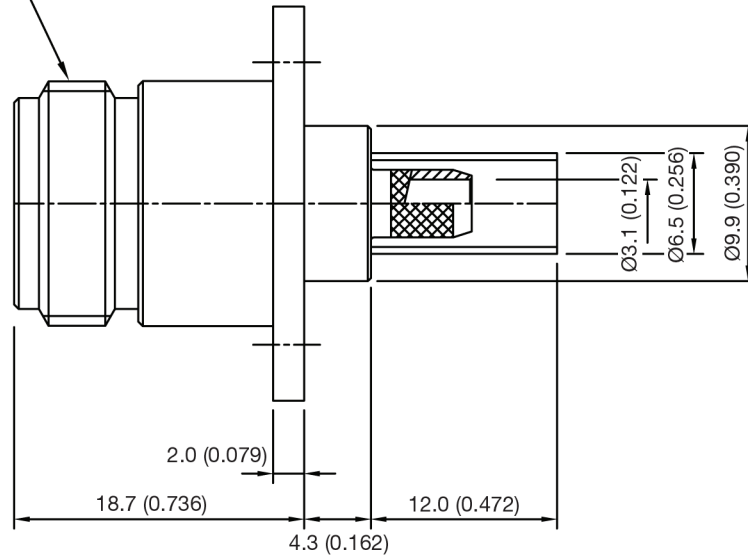
**Electrical Data**

Impedance

50 Ω

**RoHS Compliant**

5/8-24UNEF-2A



VSWR and Frequency Range Specifications  
are for reference and are dependant on cable  
type and other application specific conditions

Drawing not to scale. Dimensions for reference only

WWW.KONNECTRF.COM  
540 NW University Blvd. Ste. 109  
Port Saint Lucie, Florida, 34986  
1-800-790-5887

PART NUMBER

**KCC177314**

DESCRIPTION

**N Straight Female Jack -  
4-Hole Flange Mount - Crimp**

CAGE CODE

**664U0**

SIGNATURE

X

Cable Types **RG 223 & 400****Materials**

<b>Body</b>	Brass	White Bronze
<b>Center Contact</b>	Be-Cu	Gold Plated
<b>Ferrule</b>	Brass	White Bronze
<b>Cable Insert Pin</b>	Brass	Gold Plated
<b>Insulator</b>	PTFE	

THIS DRAWING INCLUDING THE  
DESIGNS IS THE PROPERTY OF  
KONNECT RF AND IS NOT TO  
BE USED FOR ANY PURPOSE  
WITHOUT OUR APPROVAL.