

PART NUMBER

**KCC177310**

REV.

INITIAL

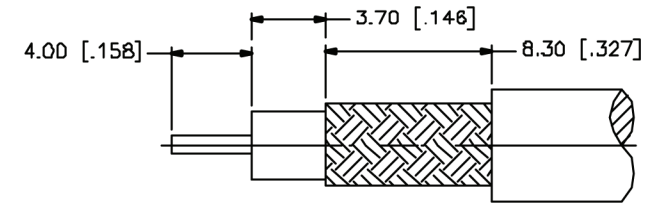
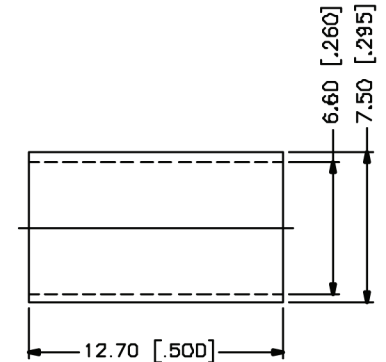
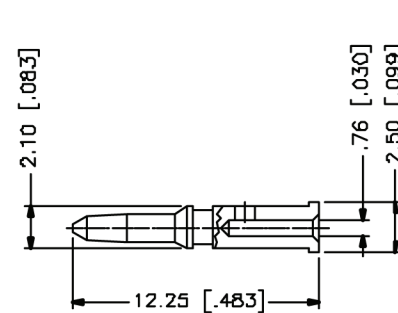
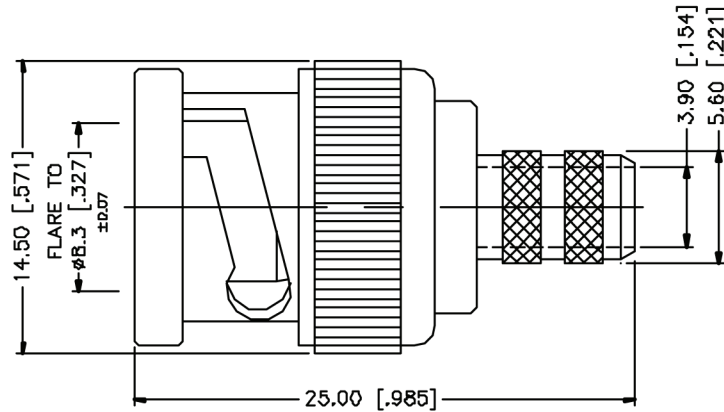
**Electrical Data**

Impedance

75 Ω

**Notes:**Crimped Ferrule  
Crimped ContactHex Crimp Size .225"  
Hex Crimp Size .068"

**VSWR and Frequency Range Specifications**  
are for reference and are dependant on cable  
type and other application specific conditions

**RoHS Compliant**RECOMMENDED CABLE  
STRIPPING DIM'S**Konnect RF**

www.konnectrf.com  
540 NW University Blvd. Ste. 109  
Port Saint Lucie, Florida, 34986  
1-800-790-5887

PART NUMBER

**KCC177310**

DESCRIPTION

**BNC Straight Male Plug  
Crimp**

CAGE CODE

**664U0**

SIGNATURE

X

**Cable Types** RG 59, 62 & 210**Materials**

**Housing / Body**  
**Ferrule**  
**Contact Pin**  
**Insulator**

**Brass**  
**Copper**  
**Brass**  
**Delrin**

**Nickel Plated**  
**Nickel Plated**  
**Gold Plated**

THIS DRAWING INCLUDING THE  
DESIGNS IS THE PROPERTY OF  
KONNECT RF AND IS NOT TO  
BE USED FOR ANY PURPOSE  
WITHOUT OUR APPROVAL.