

PART NUMBER

KCC177299

REV.

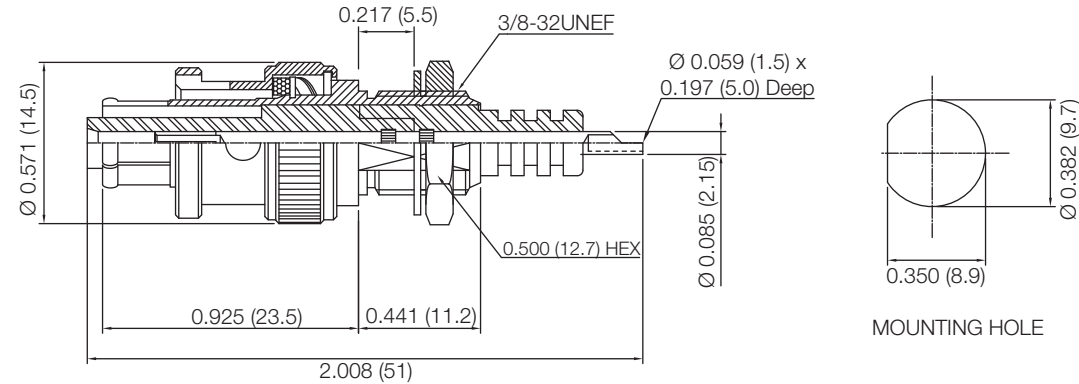
DATE

COMMENTS

INITIAL

Electrical Data

Impedance 50 Ω
 Maximum Voltage 3,000 VRMS
 5,000 DC

RoHS Compliant

Drawing not to scale. Dimensions for reference only

Units: inches (mm)

Konnect RF

WWW.KONNECTRF.COM
 1-800-790-5887

PART NUMBER

KCC177299

DESCRIPTION

**SHV Straight Female Plug Receptacle,
Bulkhead Front Mount, Solder Pot**

CAGE CODE

664U0

SIGNATURE

X

THIS DRAWING INCLUDING THE
 DESIGNS IS THE PROPERTY OF
 KONNECT RF AND IS NOT TO
 BE USED FOR ANY PURPOSE
 WITHOUT OUR APPROVAL.

Component

Body & Coupling Nut
 Center Contact
 Insulator
 O-Ring

Material

Brass
 Brass
 PTFE
 Silicone Rubber

Plating

Nickel
 Gold