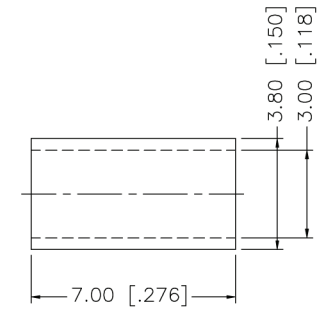
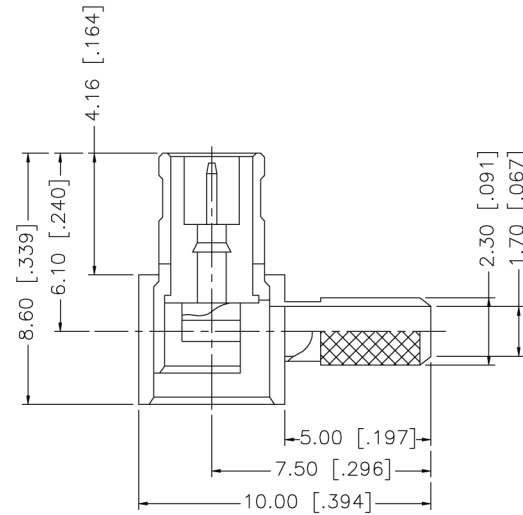
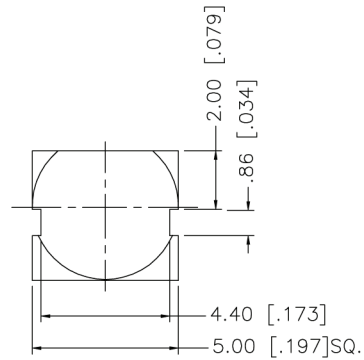


PART NUMBER

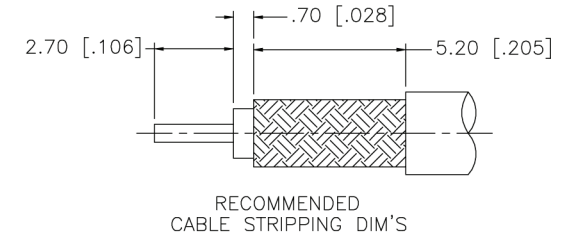
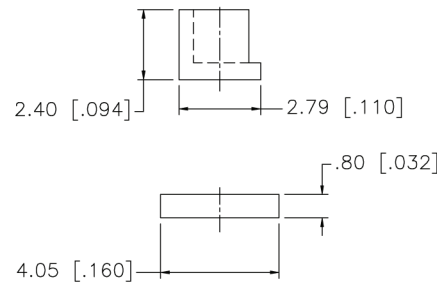
KCC177292

REV.

INITIAL

RoHS Compliant**Electrical Data**

Impedance

75 Ω**Mechanical Data**Crimped Ferrule
Contact Pin to Solder**Hex Crimp Size .128"**

VSWR and Frequency Range Specifications
are for reference and are dependant on cable
type and other application specific conditions

Drawing not to scale. Dimensions for reference only

540 NW University Blvd. Ste. 109
Port Saint Lucie, Florida, 34986
1-800-790-5887

PART NUMBER

KCC177292

DESCRIPTION

**MCX Right-Angle Male Plug
Crimp**

CAGE CODE

664U0

SIGNATURE

X

Cable Types

RG 179 & 187

Materials

Body

Be-Cu**Gold Plated**

Cover

Brass**Gold Plated**

Ferrule

Copper**Gold Plated**

Center Contact

Brass**Gold Plated**

Insulator

PTFE

Insulator

Delrin

THIS DRAWING INCLUDING THE
DESIGNS IS THE PROPERTY OF
KONNECT RF AND IS NOT TO
BE USED FOR ANY PURPOSE
WITHOUT OUR APPROVAL.