

PART NUMBER

KCC177237

REV.

INITIAL

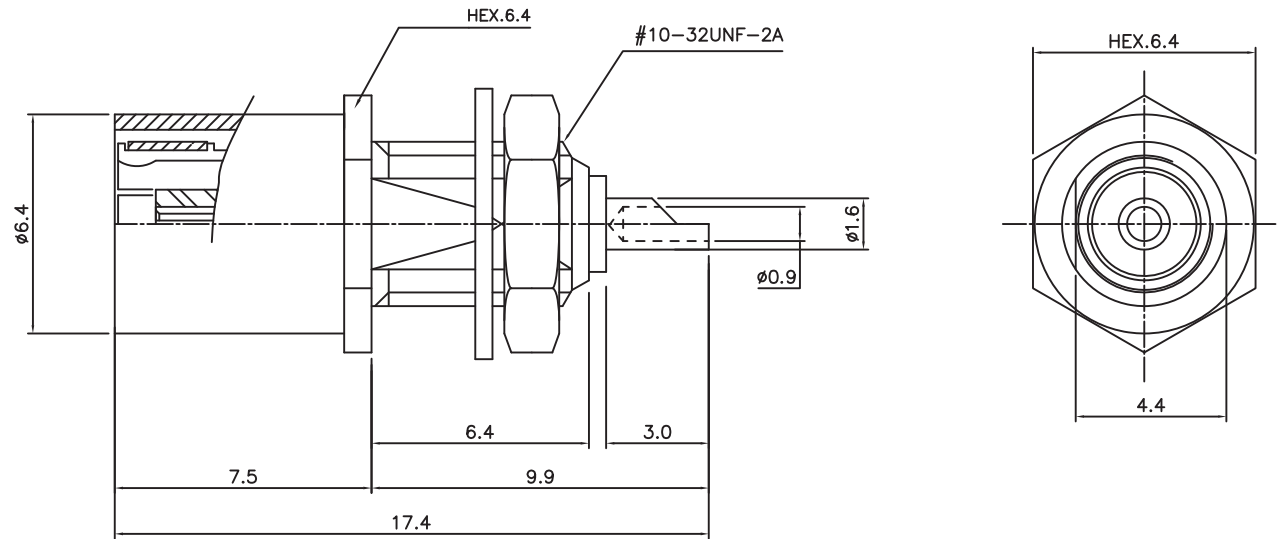
Electrical Data

Impedance	50 Ω
Frequency Range	DC-4 GHz
Voltage Rating	335 VRMS
Insertion Loss	0.6 dB Max
Insulation Resistance	1,000 M Ω
VSWR	1.25 up to 4 GHz

RoHS Compliant

Mechanical Data

Temperature Range: -45 °C - 125 °C



VSWR and Frequency Range Specifications
are for reference and are dependant on cable
type and other application specific conditions

Drawing not to scale. Dimensions for reference only

Units: mm

Konnect RF

WWW.KONNECTRF.COM
1-800-790-5887

PART NUMBER

KCC177237

DESCRIPTION

**SMB Straight Female Plug Receptacle,
Bulkhead Front Mount, Solder Pot**

CAGE CODE

664U0

SIGNATURE

X

THIS DRAWING INCLUDING THE
DESIGNS IS THE PROPERTY OF
KONNECT RF AND IS NOT TO
BE USED FOR ANY PURPOSE
WITHOUT OUR APPROVAL.

Component

Body & Nut
Washer
Center Contact
Outer Contact
Insulator

Material

Brass
Brass
Be.Cu
Brass/Be.Cu
PTFE

Plating

Gold
Gold
Gold
Gold