

PART NUMBER
KCC177221

REV.		INITIAL
A	08-20-13	Added Electrical Specs.

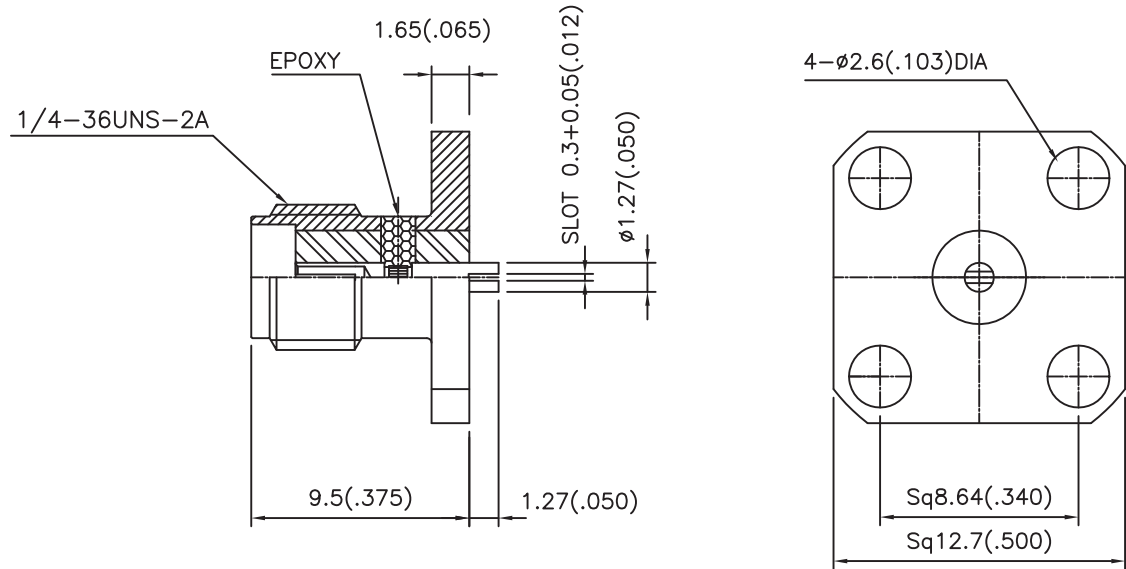
Electrical Data

Impedance 50 Ω
 Frequency Range DC - 18 GHz.
 RF Leakage </-100 dBc
 Insulation Resistance ≥ 5,000 MΩ
 Dielectric Withstanding Voltage 750 VRMS
 VSWR ≤ 1.2 @ 18 GHz

RoHS Compliant

Mechanical Data

Temperature Range: -55 °C - 125 °C



Drawing not to scale. Dimensions for reference only Units: mm (inches)



WWW.KONNECTRF.COM
1-800-790-5887

PART NUMBER KCC177221		DESCRIPTION SMA Straight Female Jack Receptacle, 4 Hole Flange Mount, Slot Terminal, Epoxy Captivation													
CAGE CODE 664U0	SIGNATURE X														
THIS DRAWING INCLUDING THE DESIGNS IS THE PROPERTY OF KONNECT RF AND IS NOT TO BE USED FOR ANY PURPOSE WITHOUT OUR APPROVAL.		<table border="0"> <tr> <td>Component</td> <td>Material</td> <td>Plating</td> </tr> <tr> <td>Body</td> <td>Stainless Steel</td> <td>Passivated</td> </tr> <tr> <td>Center Contact</td> <td>BeCu</td> <td>Gold</td> </tr> <tr> <td>Insulator</td> <td>PTFE</td> <td></td> </tr> </table>	Component	Material	Plating	Body	Stainless Steel	Passivated	Center Contact	BeCu	Gold	Insulator	PTFE		
Component	Material	Plating													
Body	Stainless Steel	Passivated													
Center Contact	BeCu	Gold													
Insulator	PTFE														